

C1060

Parts manual

Serial number: 21060044

Europe Forestry V.O.F.
Stegerdijk 13
7737 PT Stegeren
The Netherlands
Tel: +31 (0) 529 - 461266
www.europeforestry.com
info@europeforestry.com



Contents

1.	Base unit (1)	3
1.	Base unit (2)	4
2.	Top roll	5
3.	Bottom roll	6
4.	Vertical side roll (2x)	7
5.	Drum	8
6.	Main bearing	9
7.	Anvil	10
8.	Discharge chute.....	11
9.	Discharge chute flap	12
10.	Infeed table	13
11.	Diesel tank.....	14
12.	Trailer frame	15
13.	Wheel assembly	16
14.	Motor frame.....	17
15.	Pulley covers / power belts.....	18
16.	Lighting schematic	19

Revision table			
<i>Date:</i>	<i>Revision:</i>	<i>Name:</i>	<i>Change:</i>
15-01-2015	0	NM	First release

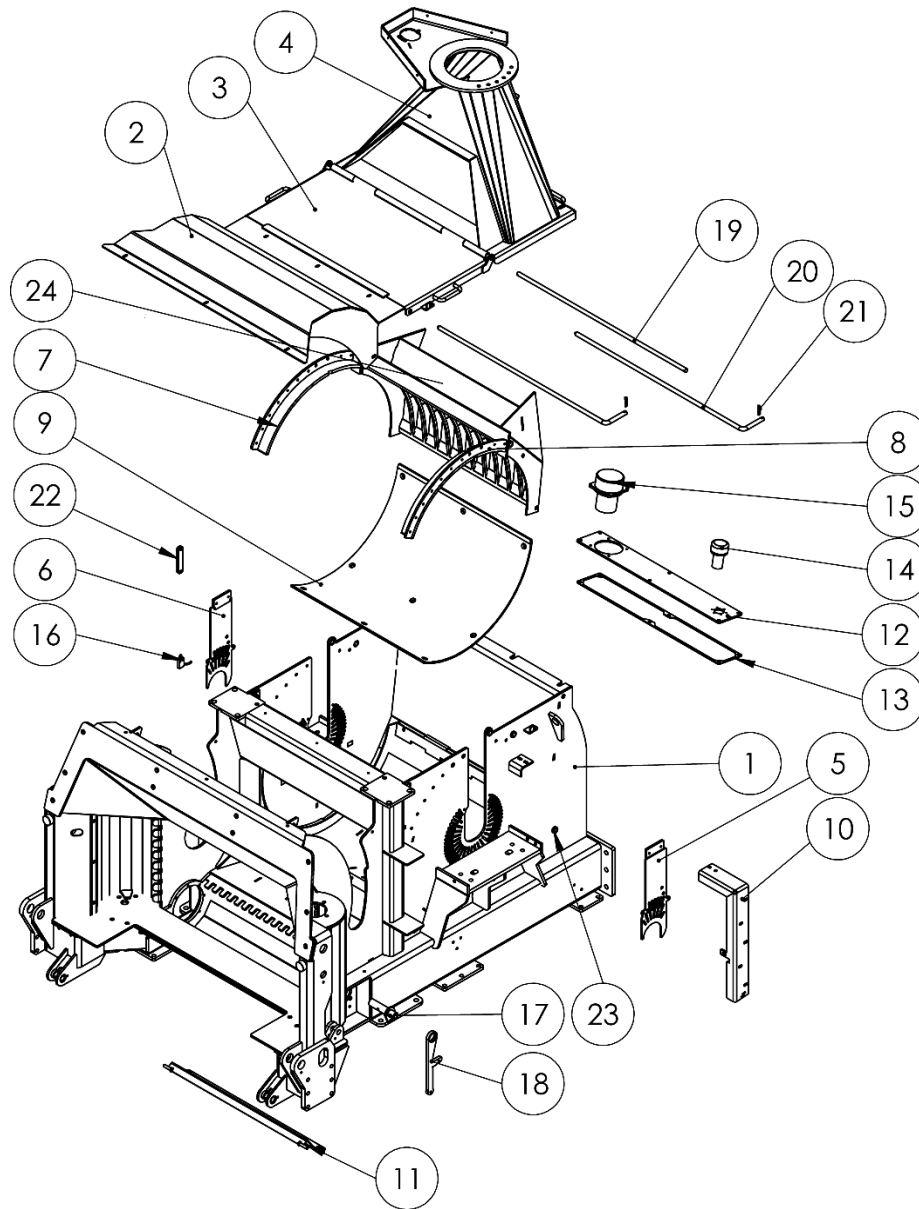
© Europe Forestry V.O.F.

The information, specifications and illustrations in this document were current at the time of printing.

Information shown may be different from your machine. It is possible that errors occur.

No rights of any kind can be derived from such differences.

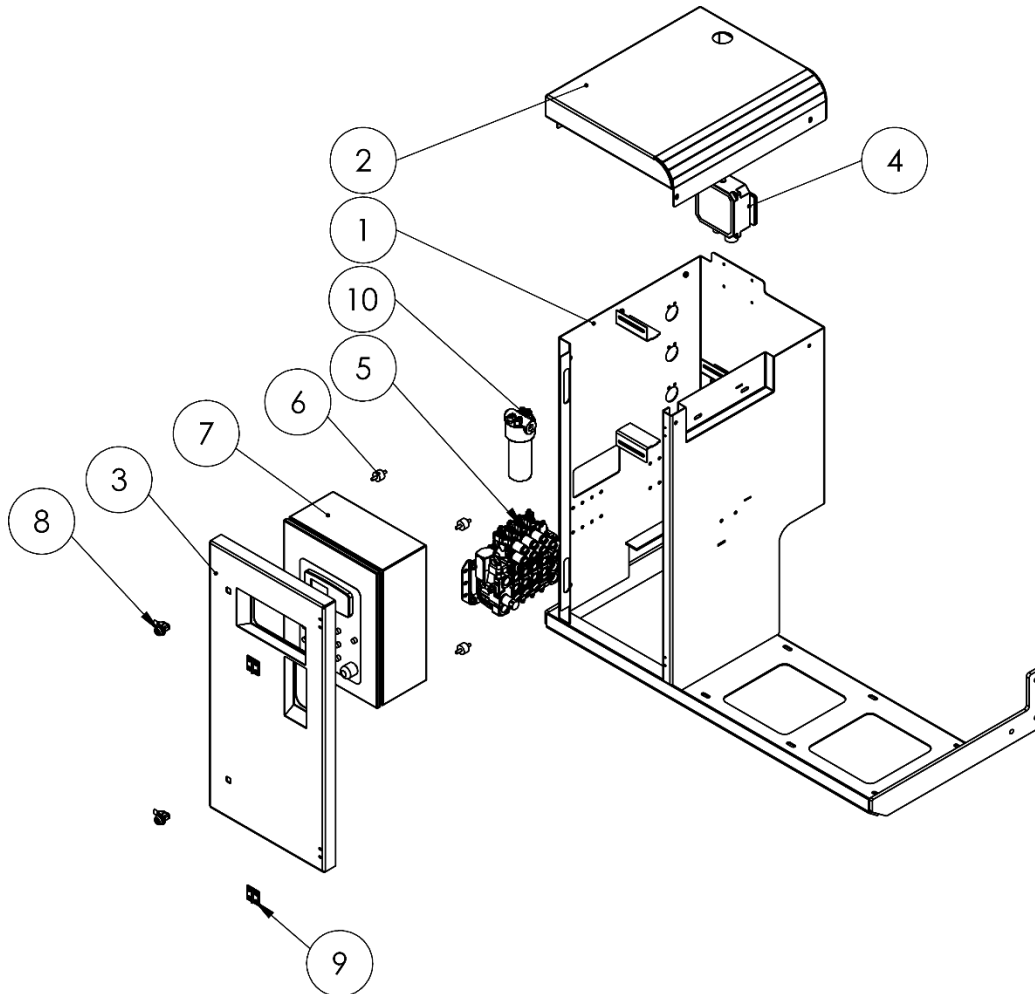
1. Base unit (1)



Pos.	Part. No.	Description	Qty.
1	0212-0000	Base unit weld.	1
2	0137-0000	Top roll cover weld.	1
3	0136-0000	Drum cover weld.	1
4	0135-0000	Discharge funnel weld.	1
5	0133-0000R	Right cover	1
6	0133-0000L	Left cover	1
7	0134-0000L	Left guide	1
8	0134-0000R	Right guide	1
9	0130-0007	Wearplate	1
10	0130-0002	Pulley cover support	1
11	0131-0000	Bottom cover	1
12	0130-0003	Hydraulic oil tank lid	1
13	60.40.0037	Hydraulic tank seal	1

Pos.	Part. No.	Description	Qty.
14	60.40.0000	Fill cap	1
15a	60.60.0001	Return filter housing	1
15b	60.60.0002	Return filter element	1
16	40.10.0010	Drum safety switch	1
17	0132-0000	Pin $\varnothing 35 \times 123$ + grease	2
18	0130-0004	Hook	2
19	0130-0006	Shaft pin	1
20	0130-0005	Lock pin cover	2
21	90.00.0012	Lock pin	2
22	60.40.0063	Level gauge	1
23	60.40.0003	Temp. sensor	1
24	20.40.5050	Screen 50mm	1

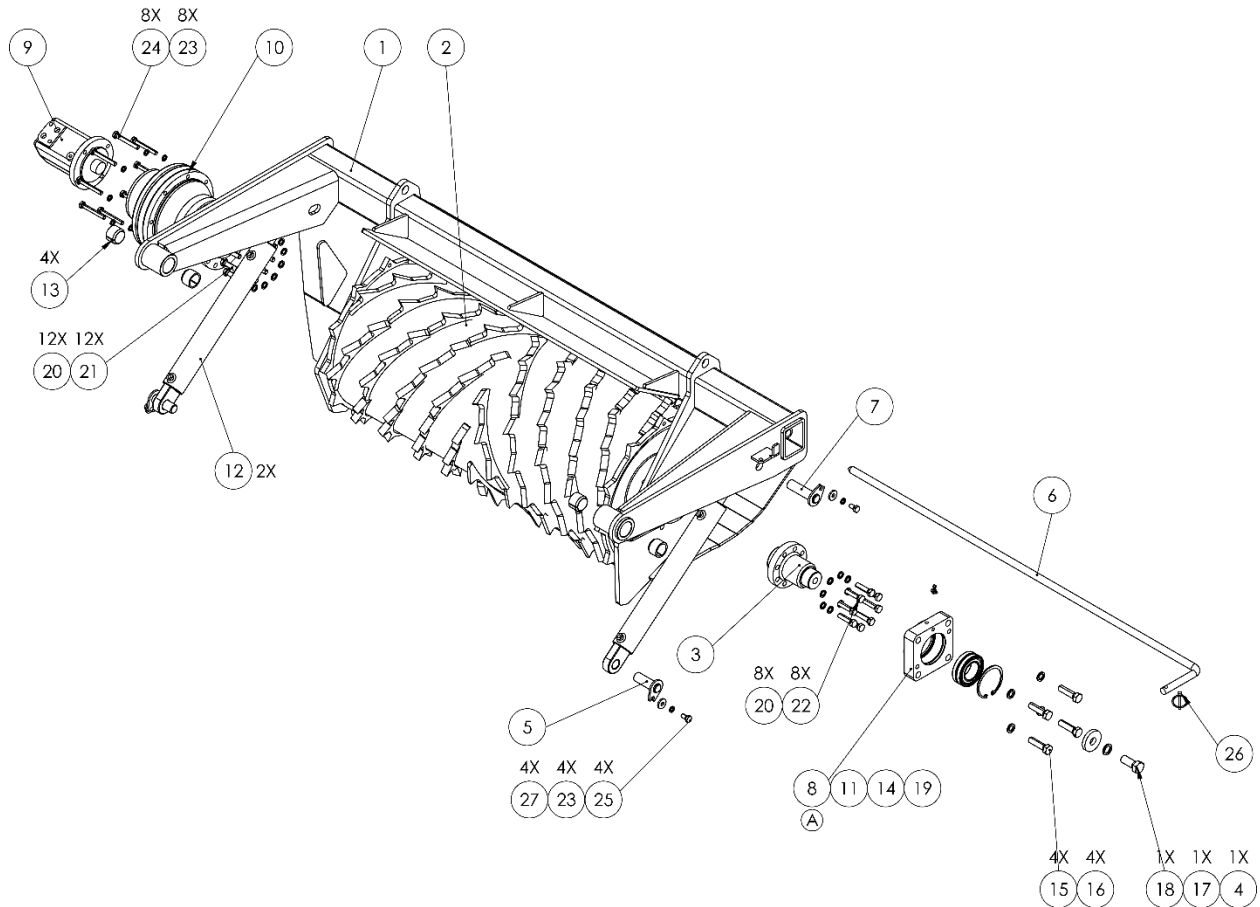
1. Base unit (2)



Pos.	Part. No.	Description	Qty.
1	0046-0000	Subframe weld.	1
2	0130-0001	Top cover	1
3	0044-0000	Door weld.	1
4	40.30.1030	Remote set	1
5	60.20.0050	Parker valve 4 section	1
6	40.20.0254	Vibration damper	4

Pos.	Part. No.	Description	Qty.
7	40.00.1002	Control box	1
8	90.00.0005	Triangle lock	2
9	90.00.0010	Hinge	2
10a	60.40.0008	Pressure filter housing	1
10b	60.40.0009	Pressure filter element	1

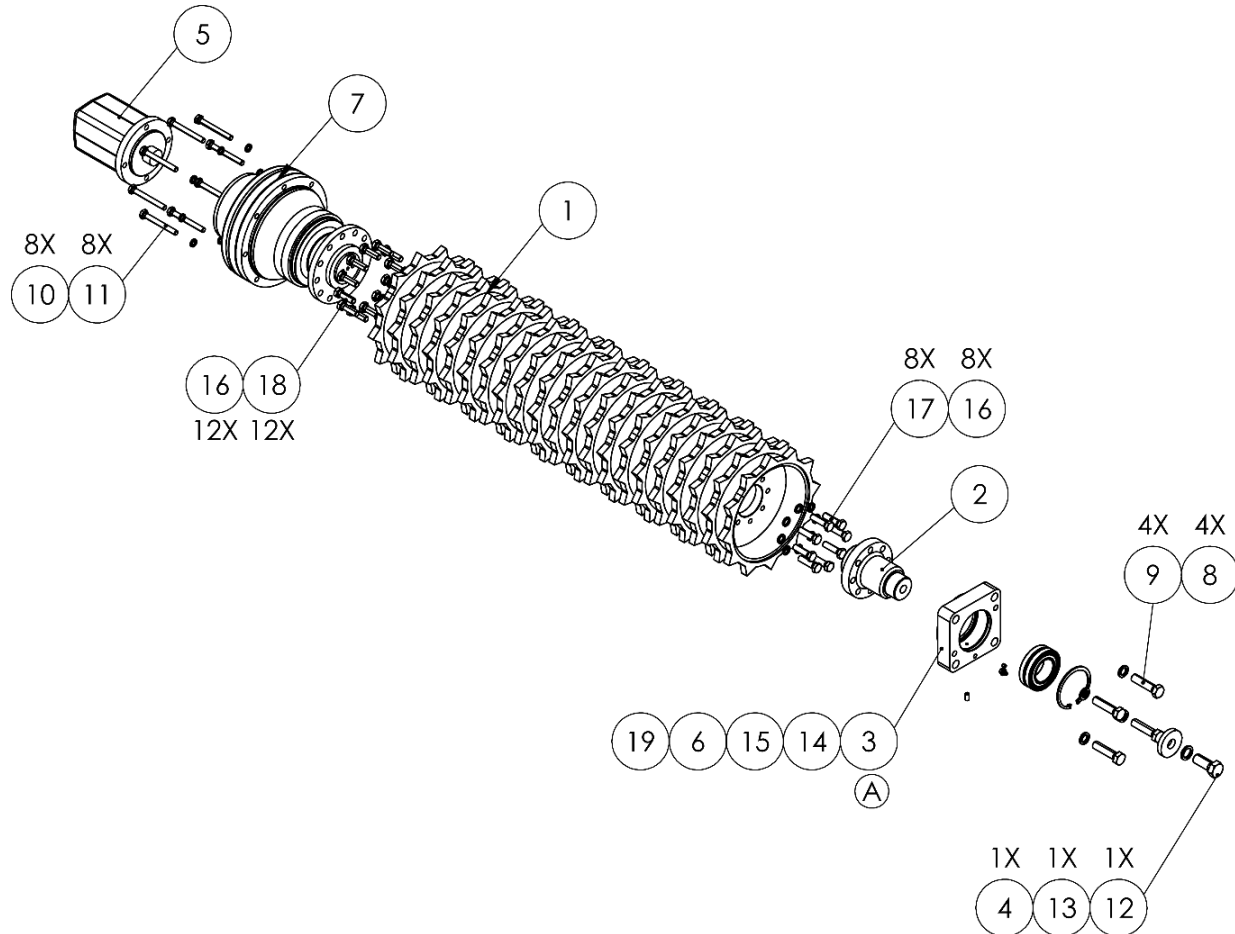
2. Top roll



Pos.	Part. No.	Description	Qty.
1	0208-0000	Top roll arm weld.	1
2	0207-0000	Top roll weld.	1
3	0206-0001	Shaft	1
4	0206-0003	Locking shim	1
5	0090-0000	Pin $\varnothing 25 \times 70$	2
6	0089-0002	Fixing pin	1
7	0074-0000	Pin $\varnothing 25 \times 90$	2
8	0206-0002	Bearing housing	1
9	60.10.0045	Hydromotor	1
10a	60.10.0060	Reductor	1
10b	60.10.0065	Flange	1
11	20.10.5041	Bearing	1
12	60.50.0050	Cylinder	2
13	20.30.0040	Tension bushing	4

Pos.	Part. No.	Description	Qty.
14	KR-47290	Circlip	1
15	--	Hex bolt M16x60	4
16	--	Nordlock M16	4
17	--	Nordlock M20	1
18	--	Hex bolt M20x50	1
19	--	Grease nipple	1
20	--	Nordlock M12	20
21	--	Hex bolt M12x45	12
22	--	Hex bolt M12x50	8
23	--	Nordlock M10	12
24	--	Socket cap screw M10x80	8
25	--	Hex bolt M10x20	4
26	90.00.0012	Lock pin	1
27	--	Washer M10	4

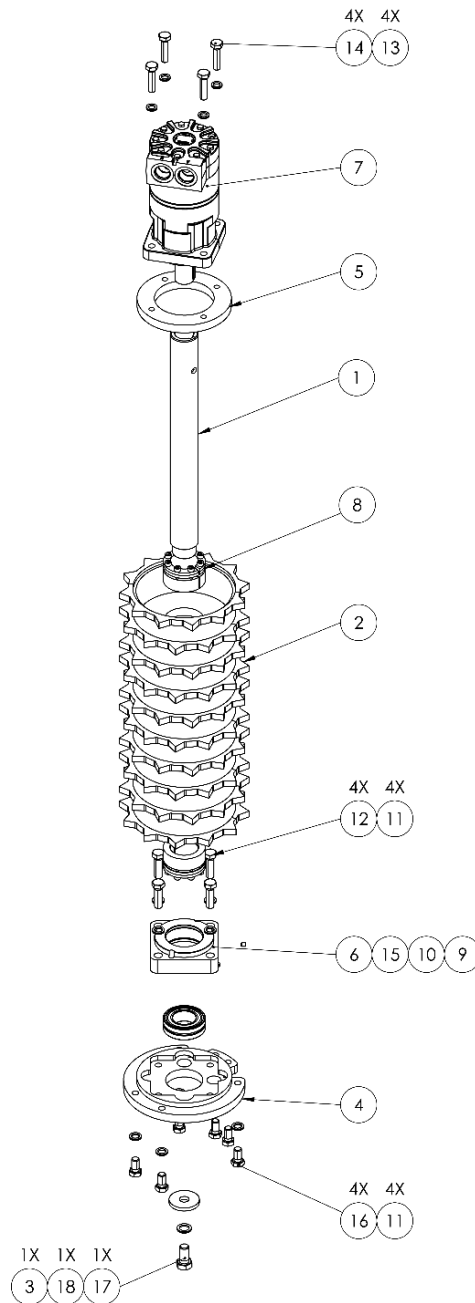
3. Bottom roll



Pos.	Part. No.	Description	Qty.
1	0210-0000	Bottom roll weld.	1
2	0206-0001	Shaft	1
3	0206-0002	Bearing housing	1
4	0206-0003	Locking shim	1
5	60.10.0040	Hydromotor	1
6	20.10.5041	Bearing	1
7a	60.10.0060	Reducer	1
7b	60.10.0065	Flange	1
8	--	Nordlock M16	4
9	--	Hex bolt M16x65	4

Pos.	Part. No.	Description	Qty.
10	--	Nordlock M10	8
11	--	Socket cap screw M10x90	8
12	--	Hex bolt M20x50	1
13	--	Nordlock M20	1
14	--	Setscrew	1
15	--	Grease nipple	1
16	--	Nordlock M12	20
17	--	Hex bolt M12x45	8
18	--	Hex bolt M12x40	12
19	KR-47290	Circlip	1

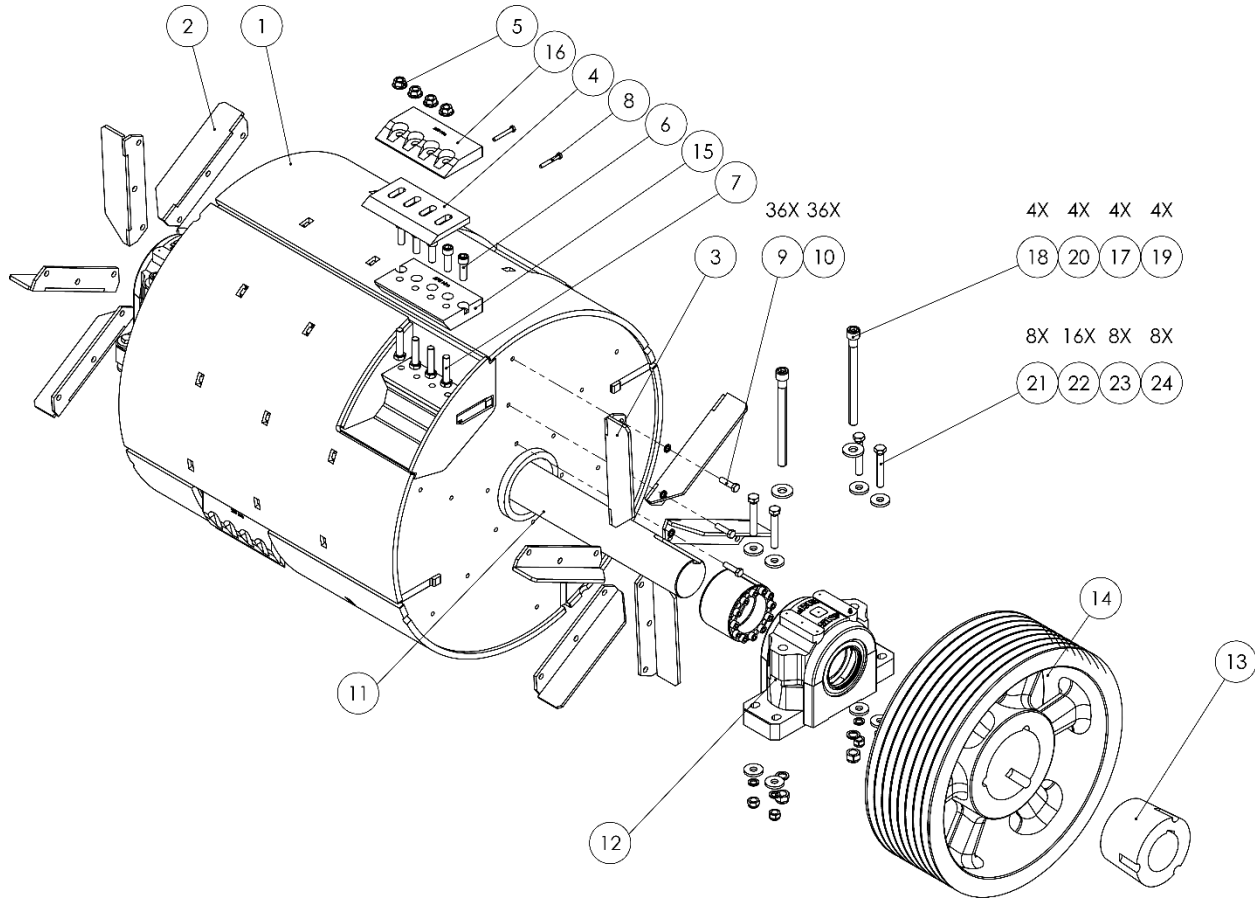
4. Vertical side roll (2x)



Pos.	Part. No.	Description	Qty.
1	0249-0001	Shaft	1
2	0049-0000	Sideroll weld.	1
3	0047-0002	Locking shim	1
4	0250-0000	Bearing plate	1
5	0047-0003	Motor mounting ring	1
6	0206-0002	Bearing housing	1
7	60.10.0035	Hydromotor	1
8	20.20.0106	Clamping bush	2
9	20.10.5041	Bearing	1

Pos.	Part. No.	Description	Qty.
10	--	Grease nipple	1
11	--	Nordlock M16	8
12	--	Hex bolt M16x55	4
13	--	Nordlock M14	4
14	--	Hex bolt M14x60	4
15	--	Set screw	1
16	--	Hex bolt M16x30	4
17	--	Hex bolt M20x40	1
18	--	Nordlock M20	1

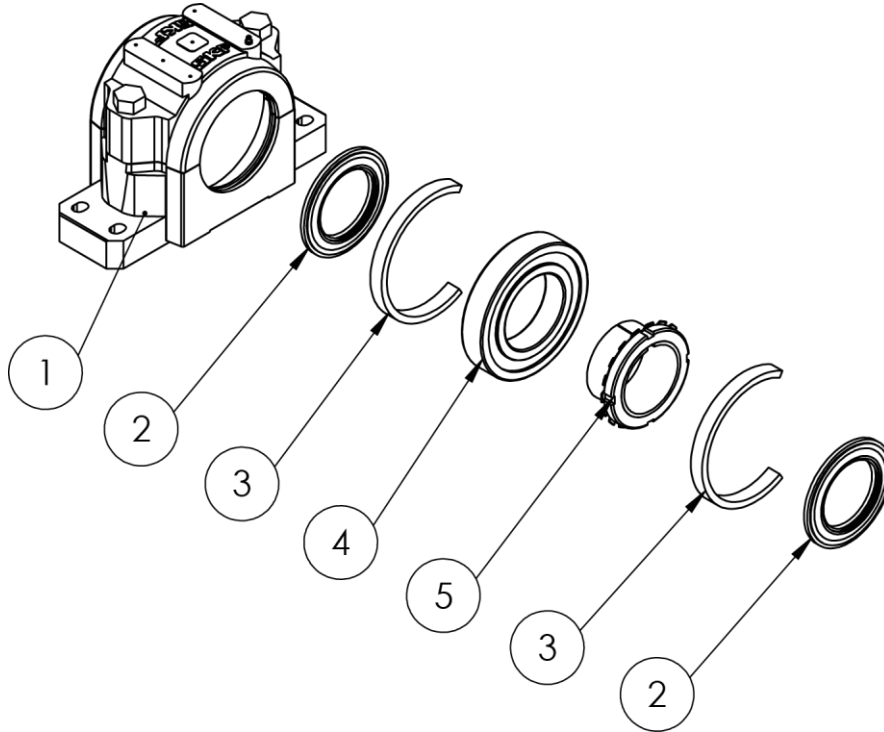
5. Drum



Pos.	Part. No.	Description	Qty.
1	0003-0000	Drum weld.	1
2	0002-0000	Fan blade (right)	6
3	0001-0000	Fan blade (left)	6
4	20.20.0501	Knife	4
5	20.20.0509	Flange nut	16
6	20.20.0503	Allen screw	20
7	20.20.0506	Hex bolt	16
8	--	Hex bolt M8x60	8
9	--	Hex bolt M12x40	36
10	--	Nordlock M12	36
11	0082-0001	Main shaft (004)	1
12	See page 9	Complete bearing	2

Pos.	Part. No.	Description	Qty.
13	20.10.2201	Taperlock	1
14	20.10.0630	Pulley	1
15	20.20.0502	Knife bed	4
16	20.20.0511	Knife clamp	4
17	--	Nordlock M20	4
18	--	Socket cap screw M20x250	4
19	--	Locknut M20	4
20	--	Washer M20	4
21	--	Hex bolt M16x100	8
22	--	Washer M16	16
23	--	Nordlock M16	8
24	--	Locknut M16	8

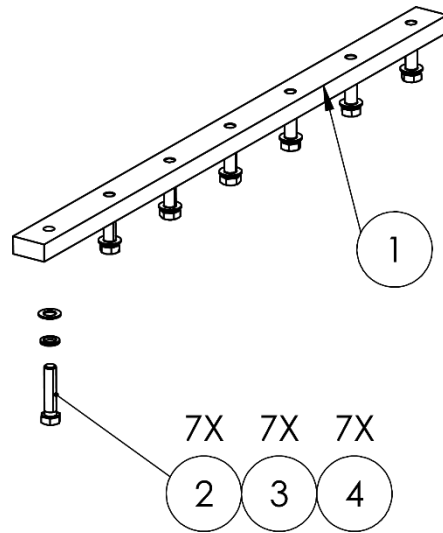
6. Main bearing



Pos.	Part. No.	Description	Qty.
1	20.10.5007	Bearing housing	2
2	20.10.5004	Lip seal (6 halves)	2
3	20.10.5005	Lock ring (only drive side)	2

Pos.	Part. No.	Description	Qty.
4	20.10.5002	Bearing	2
5	20.10.5003	Adaptor	2
6	20.10.5006	End cap (only non-drive side)	1

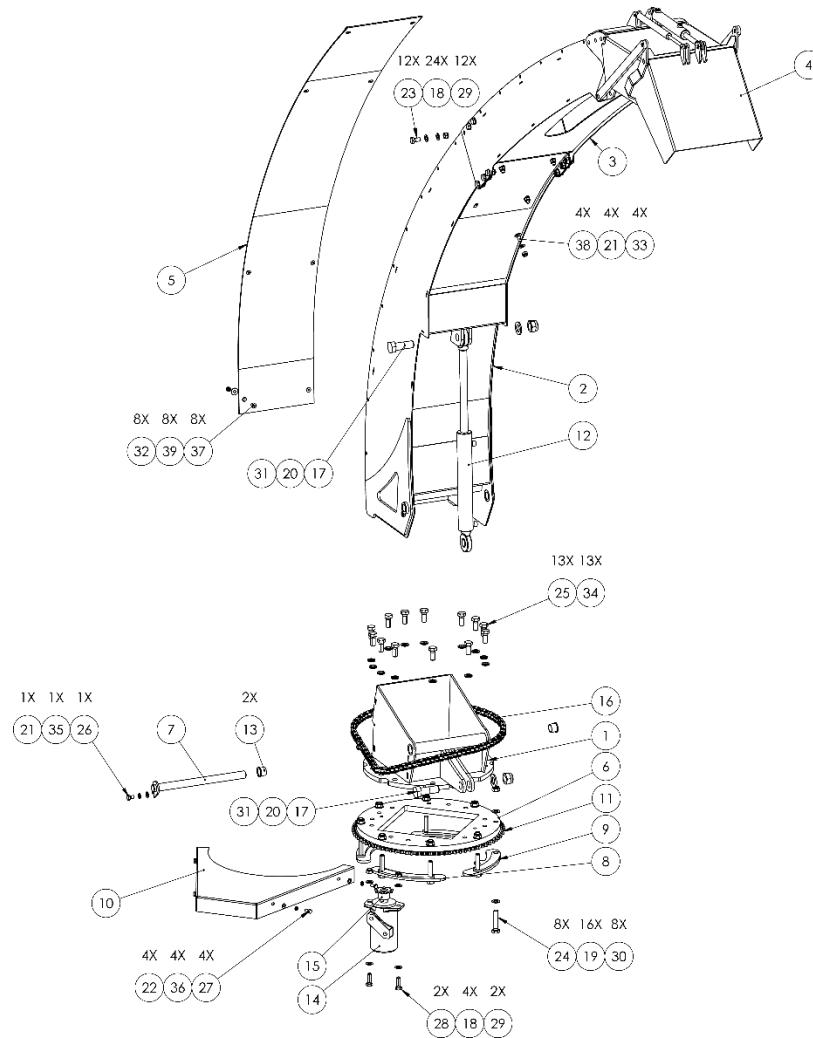
7. Anvil



Pos.	Part. No.	Description	Qty.
1	20.20.0520	Anvil	1
2	20.20.0240	Anvil bolt	7

Pos.	Part. No.	Description	Qty.
3	20.20.0242	Anvil washer	7
4	NORD.M.16	Nordlock	7

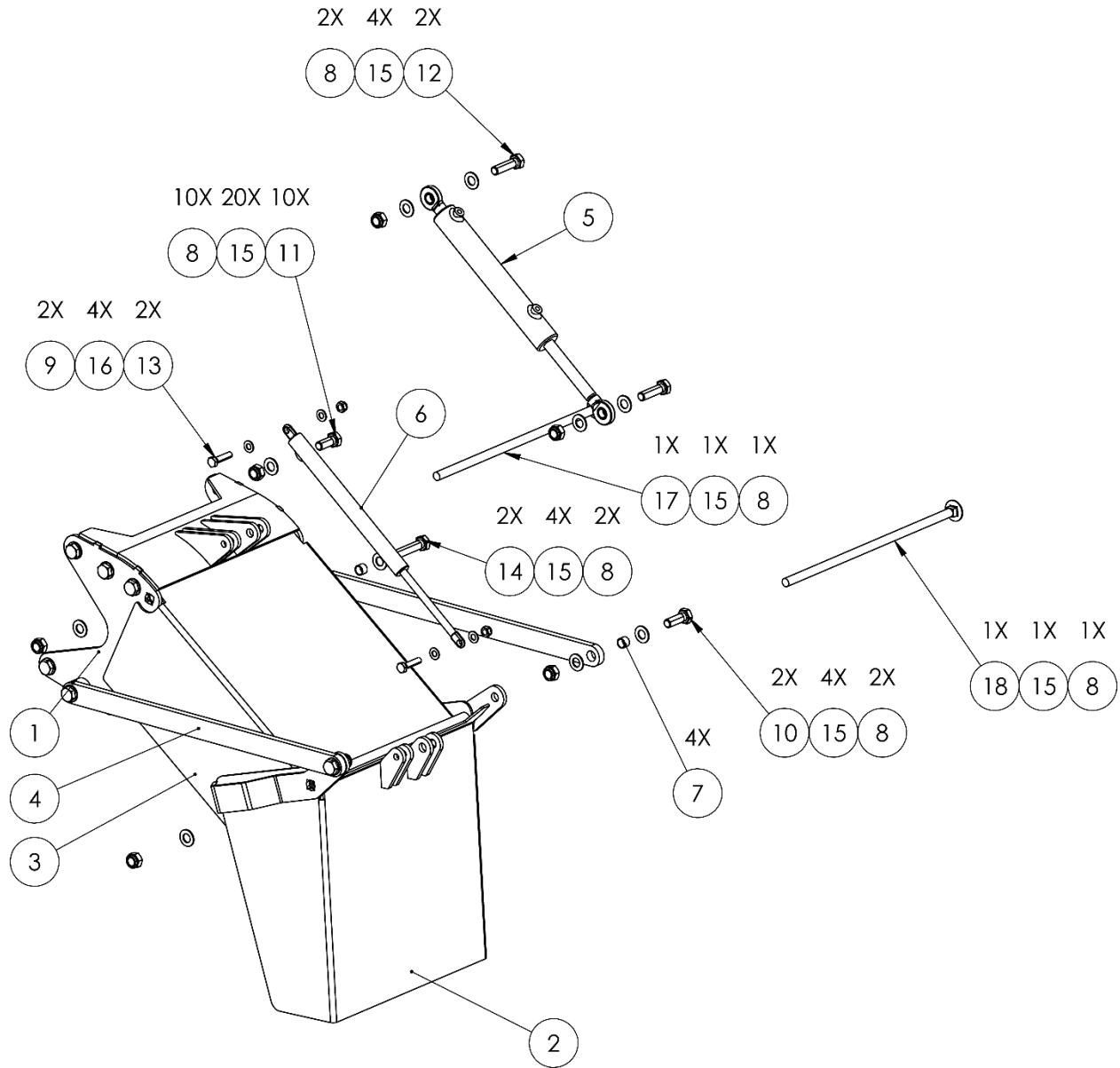
8. Discharge chute



Pos.	Part. No.	Description	Qty.
1	0100-0000	Chute base weld.	1
2	0101-0000	Chute weld. 1	1
3	0102-0000	Chute weld. 2	1
4	0111-0000	Flap assy, see page 12	1
5	0110-0005	Wearplate	1
6	0110-0001	Mounting sheet	1
7	0109-0000	Pin $\varnothing 25 \times 330$	1
8	0108-0000	Base clamp	3
9	0107-0000	Base clamp + stop	1
10	0110-0003	Cover	1
11	10.10.0015	Chain wheel $\frac{3}{4}'' z=85$	1
12	60.50.0045	Cylinder	1
13	50.30.0016	Plain bearing	2
14	50.10.0005	Hydromotor	1
15	10.10.0014	Chainwheel $\frac{3}{4}'' z=9$	1
16	10.10.0006/5	Chain / Chain link	48/1
17	6092470	Hex fit bolt	2
18	--	Washer M12	28
19	--	Washer M14	16
20	--	Washer M24	2

Pos.	Part. No.	Description	Qty.
21	--	Washer M10	5
22	--	Washer M8	4
23	--	Hex bolt M12x25	12
24	--	Hex bolt M14x70	8
25	--	Hex bolt M16x35	13
26	--	Hex bolt M10x16	1
27	--	Hex bolt M8x18	4
28	--	Hex bolt M12x35	2
29	--	Locknut M12	14
30	--	Locknut M14	8
31	--	Locknut M24	2
32	--	Locknut M8	8
33	--	Locknut M10	4
34	--	Nordlock M16	13
35	--	Nordlock M10	1
36	--	Nordlock M8	4
37	--	Socket flat head screw M8x20	8
38	--	Square neck bolt M10x25	4
39	--	Washer M8	8

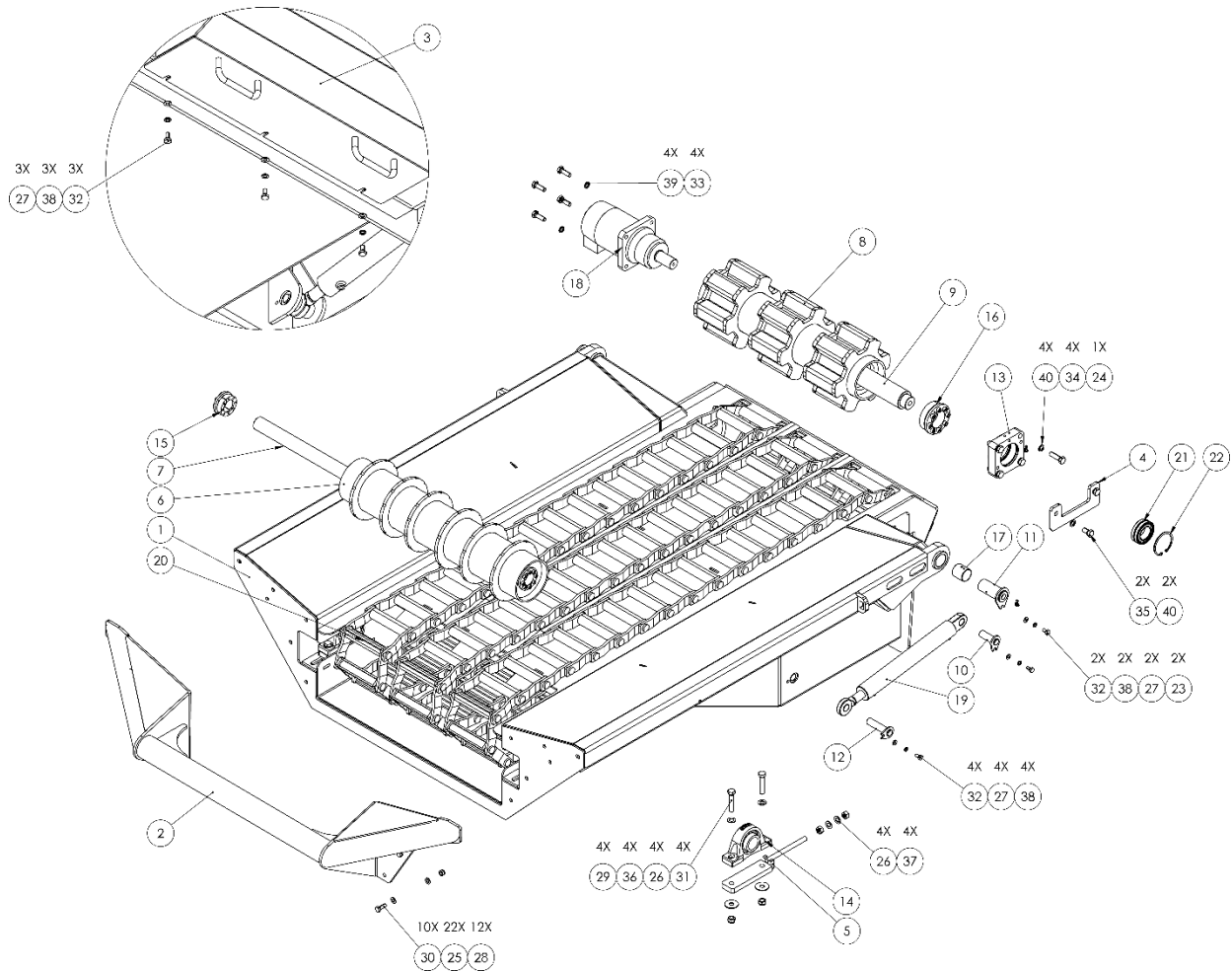
9. Discharge chute flap



Pos.	Part. No.	Description	Qty.
1	0205-0000	Flap weld. Base	1
2	0106-0000	Flap weld. 3	1
3	0105-0000	Flap weld. 2	1
4	0110-0004	Strip	2
5	60.50.0035	Cylinder	1
6	CA047015	Gas spring	1
7	50.30.0017	Plain bearing	4
8	--	Locknut M12	18
9	--	Locknut M8	2

Pos.	Part. No.	Description	Qty.
10	--	Hex bolt M12x35	2
11	--	Hex bolt M12x30	10
12	--	Hex bolt M12x45	2
13	--	Hex bolt M6x35	2
14	--	Hex bolt M12x60	2
15	--	Washer M12	34
16	--	Washer M6	4
17	--	Square neck bolt M12x340	1
18	--	Square neck bolt M12x360	1

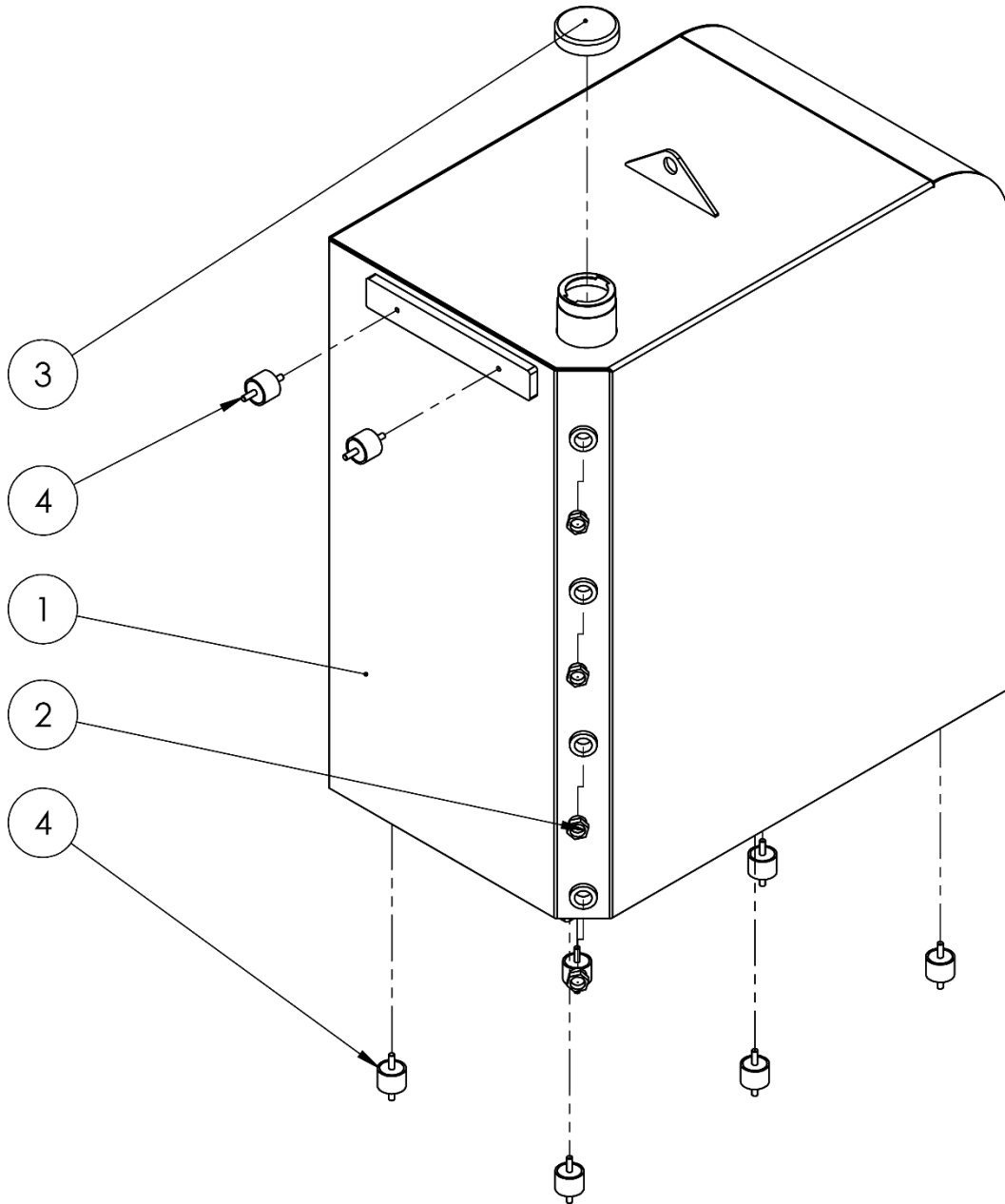
10. Infeed table



Pos.	Part. No.	Description	Qty.
1	0091-0000	Infeed table weld.	1
2	0092-0000	Infeed bumper weld.	1
3	0093-0000	Bottom cover	1
4	0099-0003	Bearing support	1
5	0096-0000	Bearing tensioner	2
6	0095-0000	Idle drum weld.	1
7	0099-0002	Shaft idle drum	1
8	0094-0000	Drive drum weld.	1
9	0099-0001	Shaft drive drum	1
10	0090-0000	Pin $\varnothing 25 \times 70$	2
11	0098-0000	Pin $\varnothing 45 \times 100$ + grease	2
12	0097-0000	Pin $\varnothing 25 \times 100$	2
13	0206-0002	Bearing housing	1
14	20.10.0020	Bearing	2
15	20.20.0103	Clamping bush	2
16	20.20.0108	Clamping bush	2
17	10.30.0000	Plain bearing	2
18	60.10.0030	Hydromotor	1
19	60.50.0055	Cylinder	2
20	10.20.1000	Infeed chain links	105

Pos.	Part. No.	Description	Qty.
21	20.10.5041	Bearing	1
22	KR-47290	Circlip	1
23	--	Grease nipple M8	2
24	--	Grease nipple G1/8	1
25	--	Washer M12	22
26	--	Washer M16	8
27	--	Washer M10	9
28	--	Locknut M12	12
29	--	Locknut M16	4
30	--	Hex bolt M12x35	10
31	--	Hex bolt M16x80	4
32	--	Hex bolt M10x20	9
33	--	Hex bolt M14x45	4
34	--	Hex bolt M16x55	4
35	--	Hex bolt M16x30	2
36	--	Washer M16	4
37	--	Nut M16	4
38	--	Nordlock M10	9
39	--	Nordlock M14	4
40	--	Nordlock M16	6

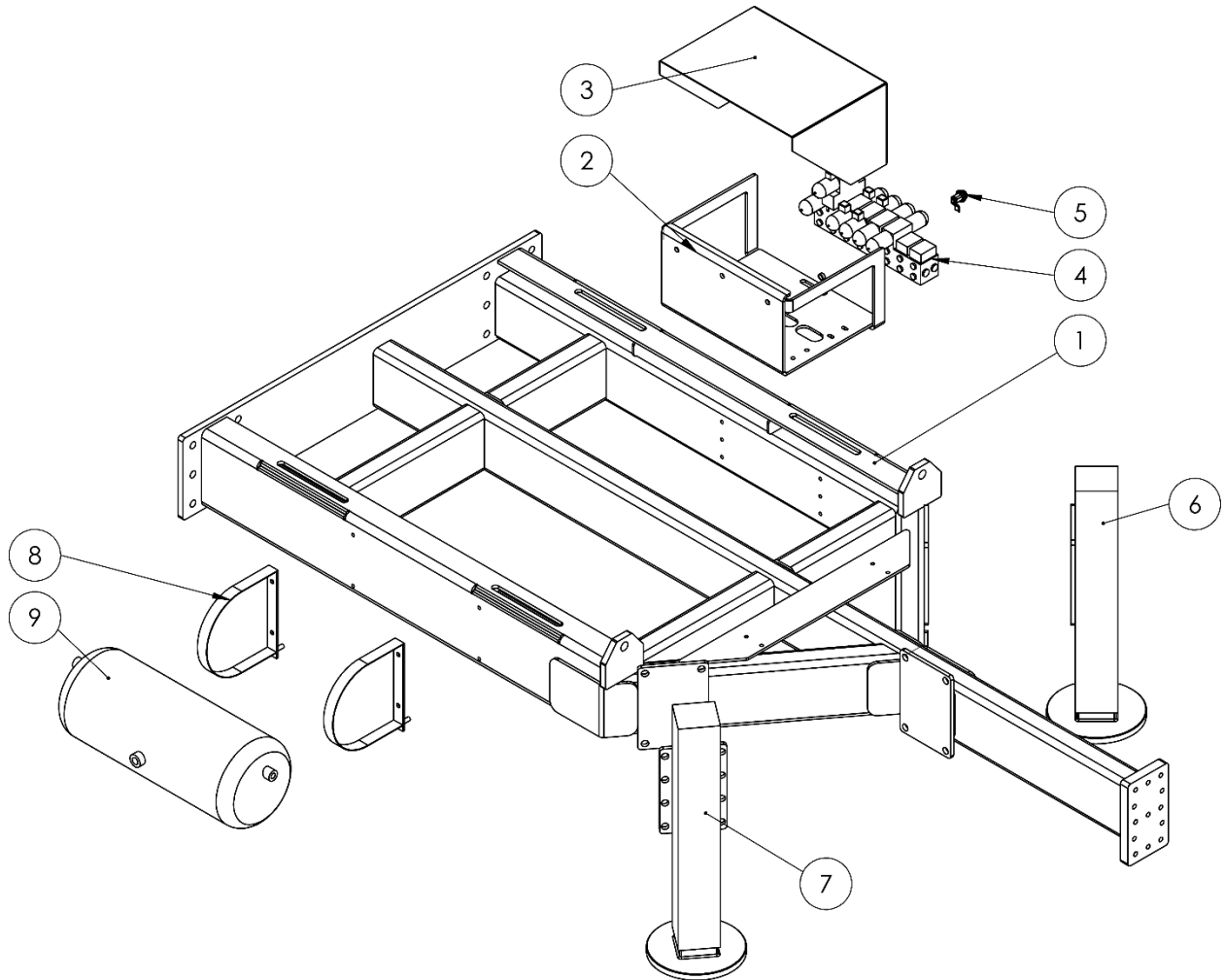
11. Diesel tank



Pos.	Part. No.	Description	Qty.
1	0085-0000	Diesel tank	6
2	30.50.0009	Level gauge	2

Pos.	Part. No.	Description	Qty.
3	30.50.0006	Tank cap	1
4	40.20.0255	Vibration damper	1

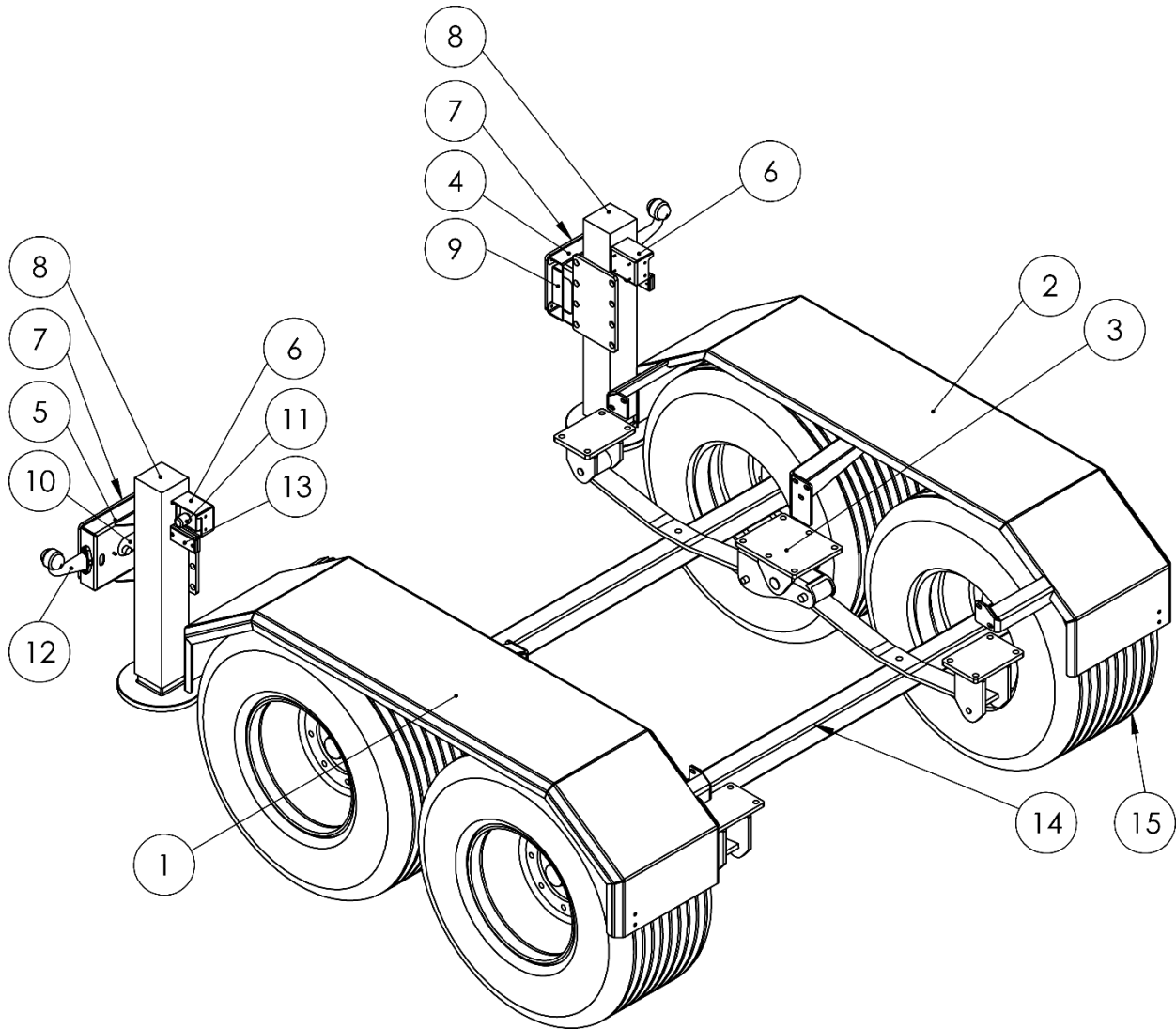
12. Trailer frame



Pos.	Part. No.	Description	Qty.
1	0199-0000	Trailer frame weld.	1
2	0282-0000	Valve support	1
3	0283-0000	Valve cover	1
4	60.20.0060	8-section valve	1
5	90.00.0005	Triangle key lock	1

Pos.	Part. No.	Description	Qty.
6	00.40.0040	Hydraulic support (L)	1
7	00.40.0041	Hydraulic support (R)	1
8	KR-4519992762	Air tank bracket	2
9	KR-9507400020	Air tank	1

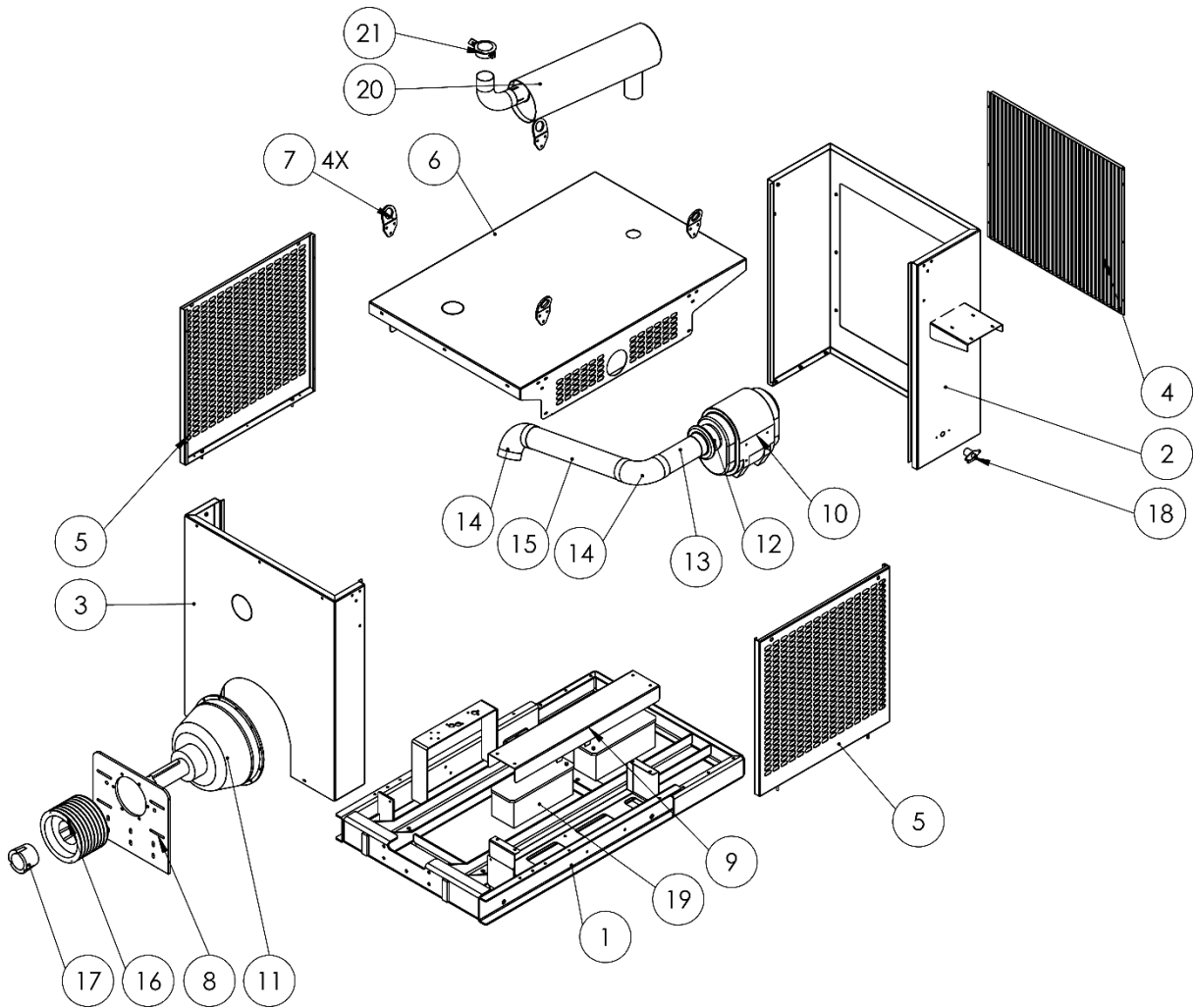
13. Wheel assembly



Pos.	Part. No.	Description	Qty.
1	0187-0000	Mudguard (L)	1
2	0188-0000	Mudguard (R)	1
3	0189-0000	Leaf spring weld.	2
4	0191-0000L	Light box (L)	1
5	0191-0000R	Light box (R)	1
6	0192-0000	E-stop box weld.	2
7	0190-0001	Tail light protection	2
8	00.40.0040/41	Hydraulic support (L/R)	1/1

Pos.	Part. No.	Description	Qty.
9	00.30.0035	Tail light (L)	1
10	00.30.0036	Tail light (R)	1
11	20.00.0000	E-stop	2
12	00.30.0026	Width light	2
13	00.30.0027	Sidelight	2
14	00.20.1005	Axle	2
15	00.00.0001	Tire + Rim	4

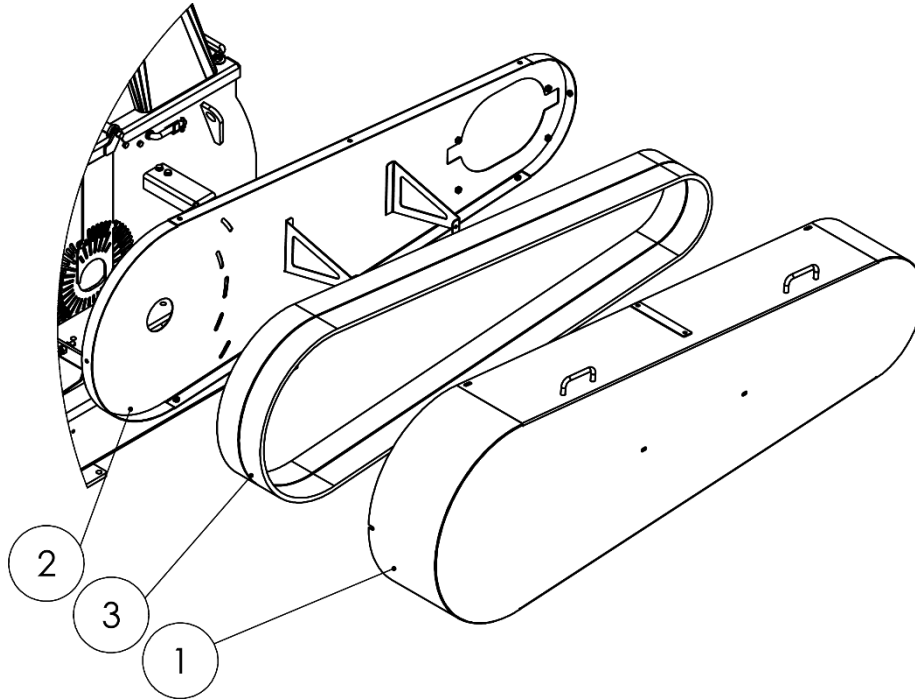
14. Motor frame



Pos.	Part. No.	Description	Qty.
1	0473-0000	Motor frame weld.	1
2	0475-0000	Motor casing back weld.	1
3	0474-0000	Motor casing front weld.	1
4	0477-0000	Motor back cover weld.	1
5	0476-0000	Motor side cover weld.	2
6	0472-0002	Motor roof weld.	1
7	0472-0003	Lifting hook	4
8	0472-0001	Clutch support	1
9	0472-0004	Battery cover	1
10a	30.20.0130	Air filter housing	1
10b	P608667	Primary air filter	1
10c	P607557	Secondary filter	1

Pos.	Part. No.	Description	Qty.
11	WTD-14-317	Clutch	1
12	30.20.0144	6-5" reducer	1
13	30.20.0107	Pipe x 340	1
14	30.20.0113	Elbow 90 degrees	2
15	30.20.0107	Pipe x 800	1
16	20.10.0314	Pulley	1
17	20.10.0142	Taperlock	1
18	40.20.0007	Earth switch	1
19	40.20.0005	Battery	2
20	--	Exhaust	1
21	KR-WC400	Raincap	

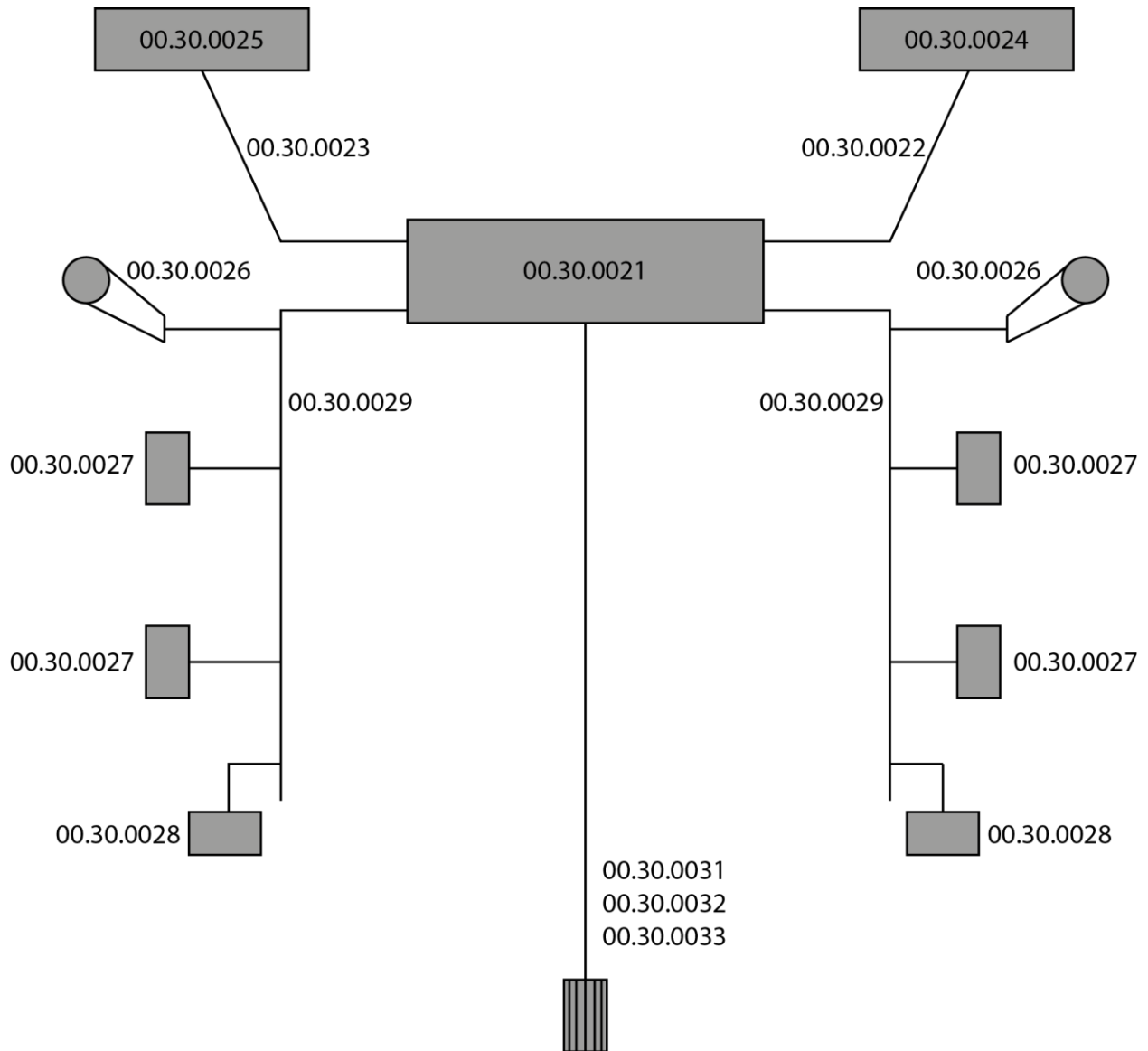
15. Pulley covers / power belts



Pos.	Part. No.	Description	Qty.
1	0052-0000	Pulley cover weld.	1
2	0126-0000	Pulley cover contra weld.	1

Pos.	Part. No.	Description	Qty.
3	20.10.0014	Powerbelt	2

16. Lighting schematic



Part. No.	Description	Qty.
00.30.0031	Connection cable 15-pol	1
00.30.0032	Connection cable 7-pol	1
00.30.0033	Connection cable 13-pol	1
00.30.0028	Width light (front)	2
00.30.0027	Side light	4
00.30.0029	Click-in cable	2
00.30.0021	Junction box	1

Part. No.	Description	Qty.
00.30.0026	Width light (back)	2
00.30.0022	Cable 5-pol (L)	1
00.30.0023	Cable 5-pol (R)	1
00.30.0024	Tail light (L)	1
00.30.0025	Tail light (R)	1
00.30.0030	Click-in clamp	