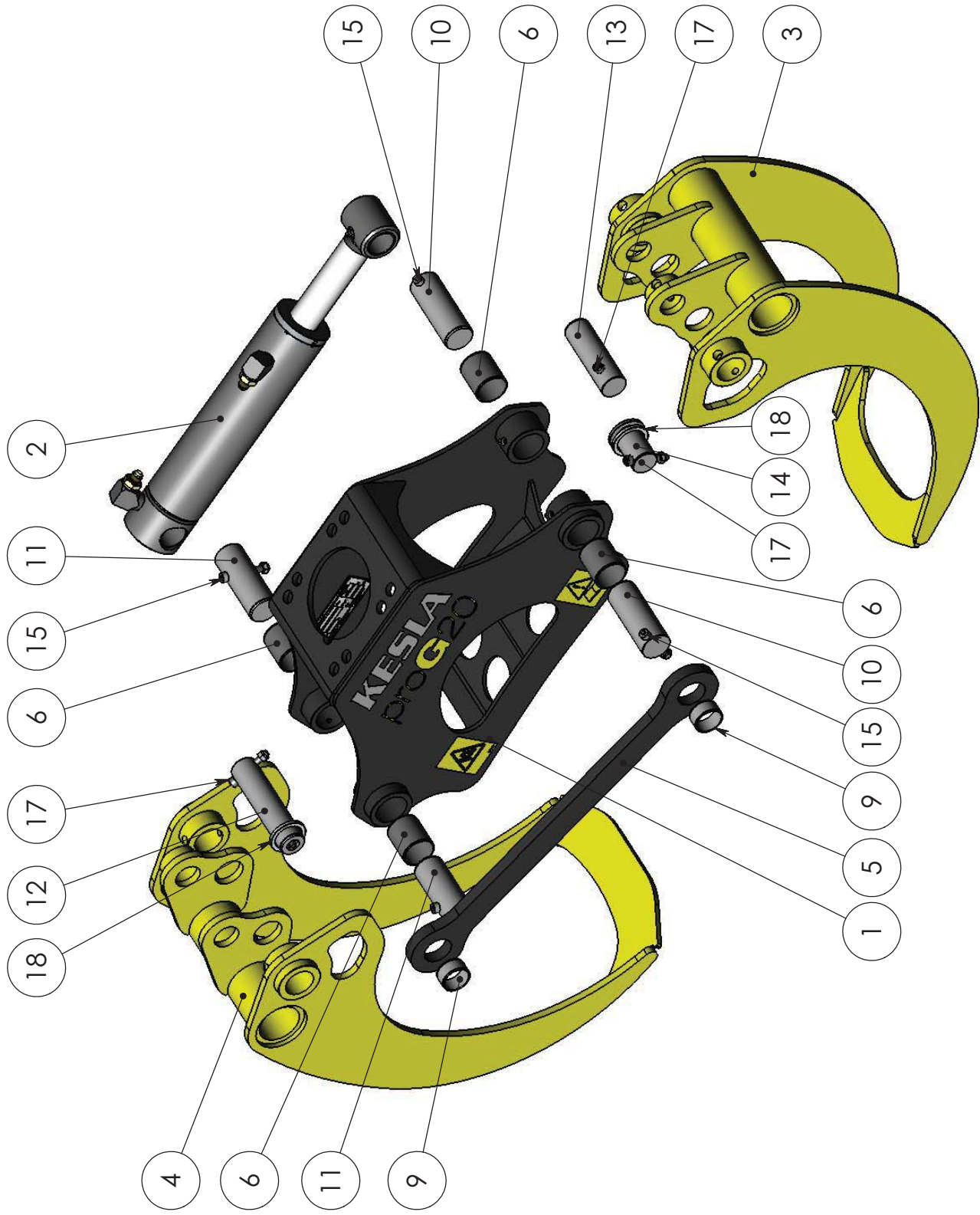




KESLA

GRAPPLE proG SPARE PARTS

<i>Contents</i>	<i>Page</i>
<i>KESLA proG20</i>	<i>2</i>
<i>KESLA proG25</i>	<i>6</i>
<i>KESLA proG25E</i>	<i>14</i>
<i>KESLA proG25P</i>	<i>18</i>
<i>KESLA proG26</i>	<i>22</i>
<i>KESLA proG26E</i>	<i>24</i>
<i>Options</i>	<i>26</i>



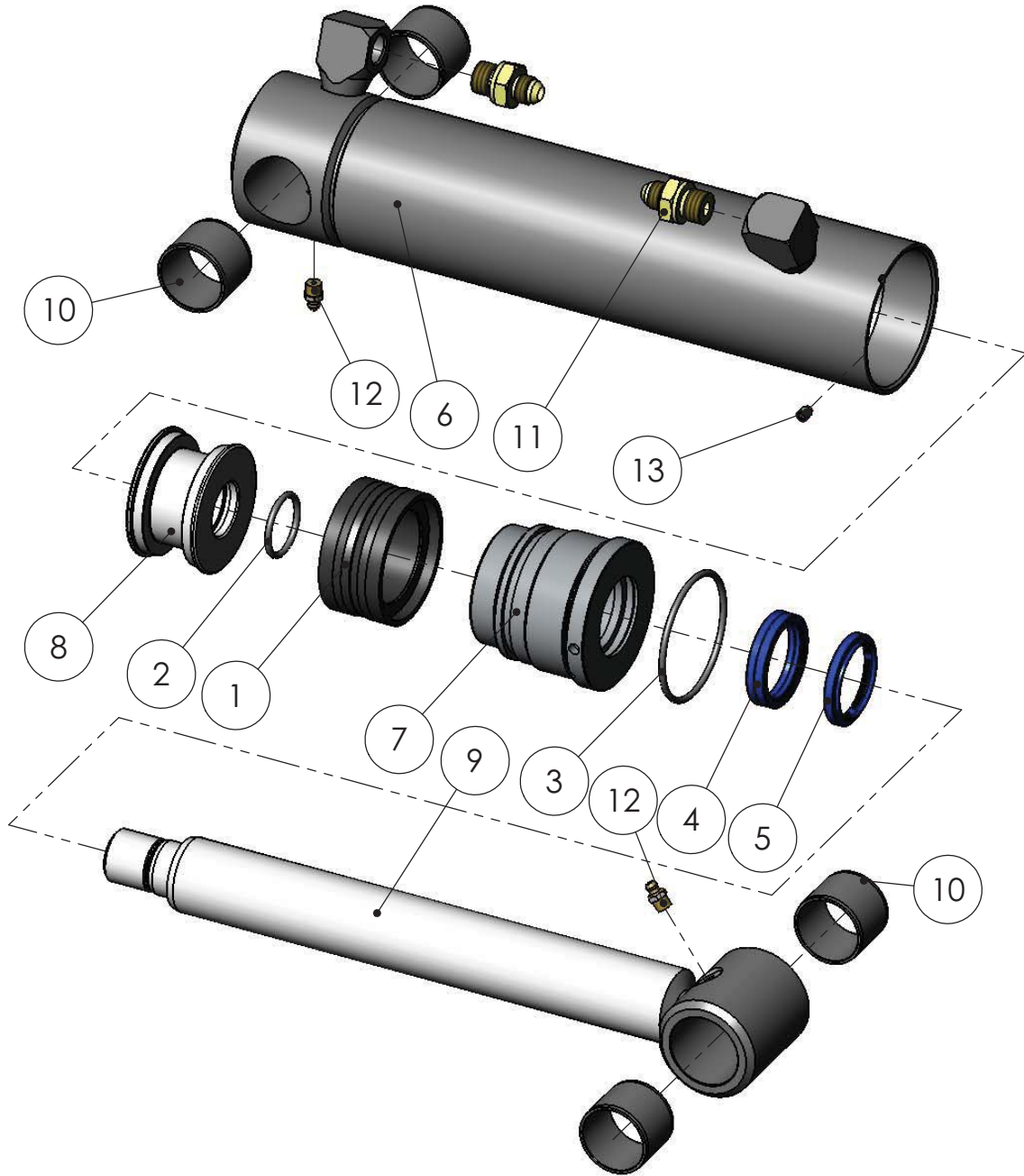
29017761



SPARE PART LIST

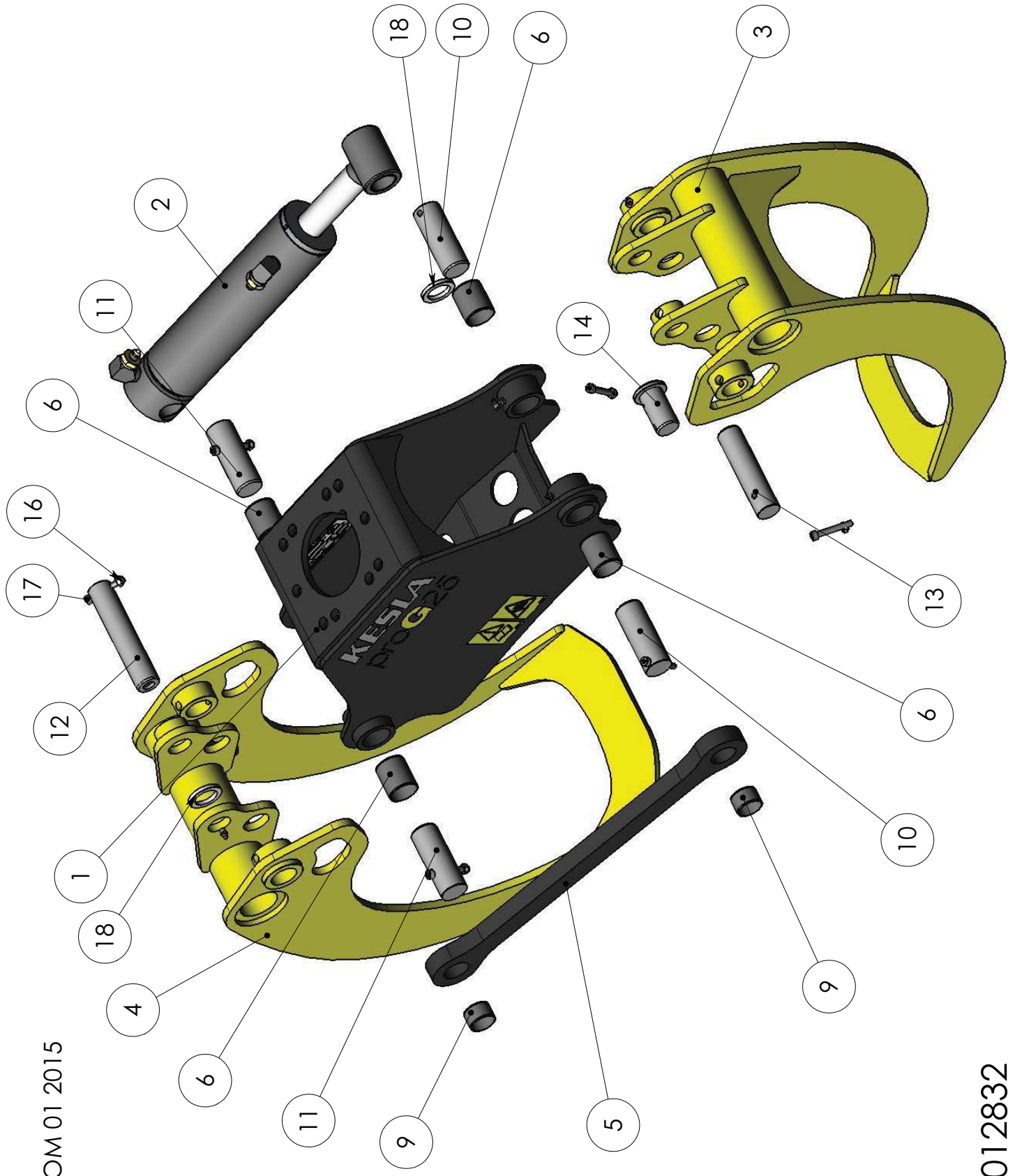
Item code	29017761	Revision	-
Title	GRAPPLE	Date	21.04.2017
Specification	PRO G20 LUBE		

Pos	Item code	Title	Specification	Pc	Nto Weight
1	29017762	FRAME	PRO G20 LUBE	1	15.87
2	3303225	CYLINDER	70/40X208	1	10.81
3	29013062	JAW	INNER	1	17.33
4	29013063	JAW	OUTER	1	17.08
5	29013071	STABILIZER		1	2.84
6	3100001	BUSHING	PM 4050 DX	4	0.1
7	3050003	GREASE NIPPLE	M8X1.25 DIN 71412	6	0
8	3280431	PLATE	125X45X1	1	0
9	3100448	BUSHING	PM 3520 DX	2	0.04
10	29012860	AXLE	40-109	2	1.04
11	29012862	AXLE	40-109	2	1.05
12	29017763	AXLE	35-153	1	1.1
13	29013081	AXLE	35-122	1	0.85
14	29017764	AXLE	50/35-60	1	0.46
15	3010216	ALLEN SCREW	M8X60 12.9 DIN 912	4	0.03
16	3020001	NUT	M8 ZN DIN 985	7	0.01
17	3011012	ALLEN SCREW	M8X55 12.9 DIN912	3	0.03
18	29014246	SLEEVE	50/39-5	2	0
19	3281593	DECAL	KESLA	2	0.01
20	3281594	DECAL	PRO G20	2	0
21	3281643	DECAL	STUDY MANUAL	1	0.01
22	3281644	DECAL	DANGER OF CRUSHING	1	0.01



Item code	3303225	Revision	-
Title	CYLINDER	Date	21.04.2017
Specification	70/40X208		

Pos	Item code	Title	Specification	Pc	Nto Weight
1	3111175	PISTON SEAL	324-925-000038-->3110007	1	0
2	3110115	O-RING	29.2X3 NBR90	1	0.01
3	3110009	O-RING	64.5X3 NBR90	1	0.01
4	3111176	ROD SEAL	324-913-000146--> 3110010	1	0.04
5	3111177	WIPER SEAL	GHK 316	1	0.02
6	3303223	CYLINDER BARREL	70/40X208	1	4.67
7	3111179	GUIDANCE	408-101-004853	1	1.4
8	3302245	PISTON	408-101-004854	1	0.61
9	3303224	PISTON ROD	70/40X208	1	3.67
10	3100383	BUSHING	PM 3530 DX	4	0.05
11	3090901	CONNECTOR	29-6010-06-06	2	0.05
12	3050022	GREASE NIPPLE	M8X1	2	0
13	3011032	ALLEN SCREW	M6X8 EN ISO 4028 / DIN 915	1	0
1-5	3111178	SEAL KIT	408-101-004847-->3111062	1	0.08

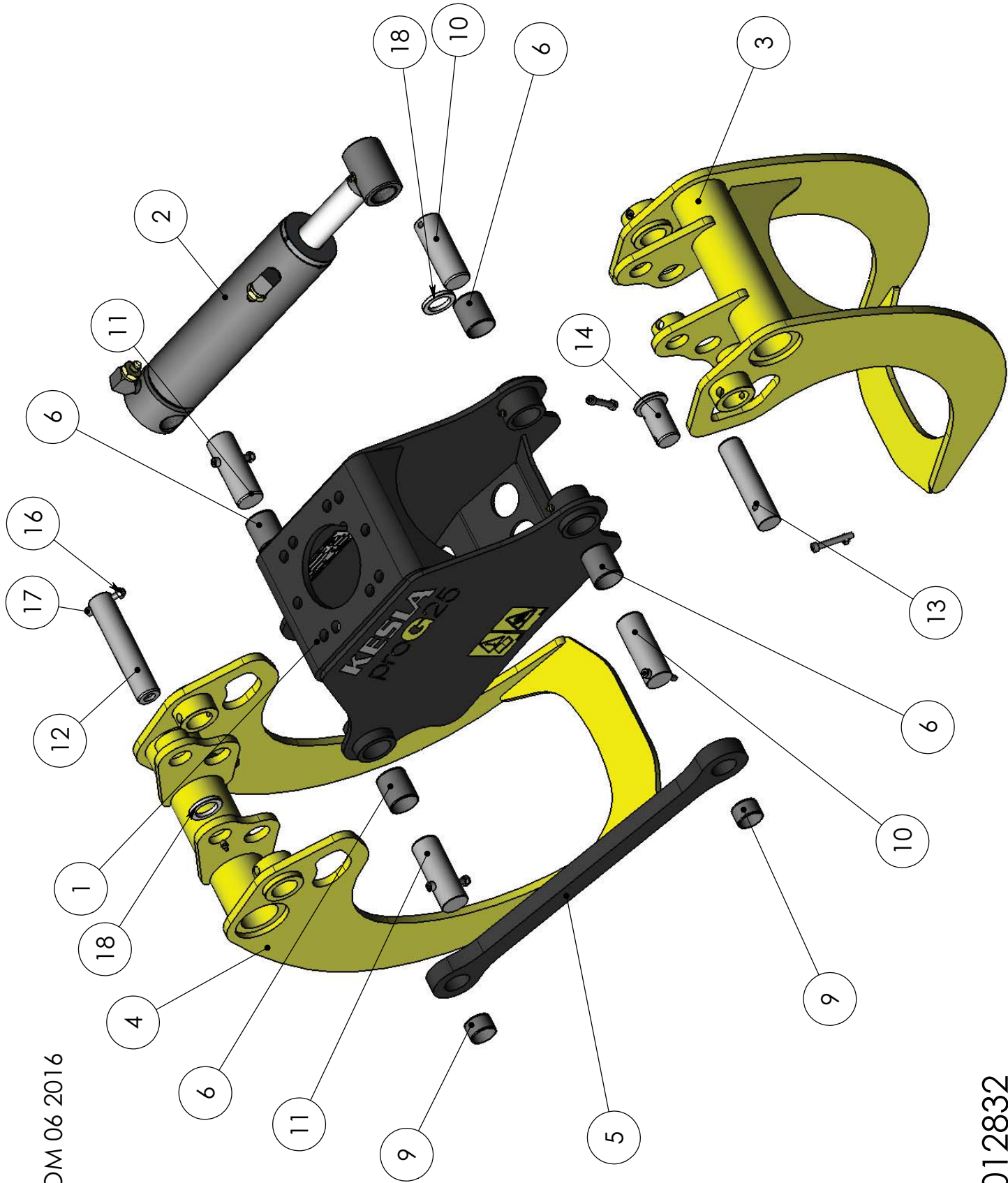




SPARE PART LIST

Item code	29012832	Revision	-
Title	GRAPPLE	Date	13.07.2012
Specification	PRO G25		

Pos	Item code	Title	Specification	Pc	Nto Weight
1	29012833	FRAME		1	28.01
2	3302256	CYLINDER	80X40X234 408-101-005092	1	14.49
3	29012845	JAW	INNER	1	28.97
4	29012852	JAW	OUTER	1	28.8
5	29012843	STABILIZER		1	4.72
6	3100001	BUSHING	PM 4050 DX	4	0.1
7	3050003	GREASE NIPPLE	M8X1,25 DIN 71412	7	0
8	3280431	PLATE	125X45X1	1	0
9	3100464	BUSHING	PM 3525 DX	2	0.05
10	29012860	AXLE	40-109	2	1.04
11	29012862	AXLE	40-109	2	1.05
12	29012880	AXLE	35-174	1	1.28
13	29012881	AXLE	35-142	1	1.03
14	29012882	AXLE	50/35-70	1	0.54
15	3010216	ALLEN SCREW	M8X60 12.9 DIN 912	4	0.03
16	3020001	NUT	M8 ZN DIN 985	7	0.01
17	3011012	ALLEN SCREW	M8X55 12.9 DIN912	3	0.03
18	29014244	SLEEVE	50/35-6	2	0.01
19	3281593	DECAL	KESLA	2	0.01
20	3281595	DECAL	PRO G25	2	0
21	3281643	DECAL	STUDY MANUAL	1	0.01
22	3281644	DECAL	DANGER OF CRUSHING	1	0.01

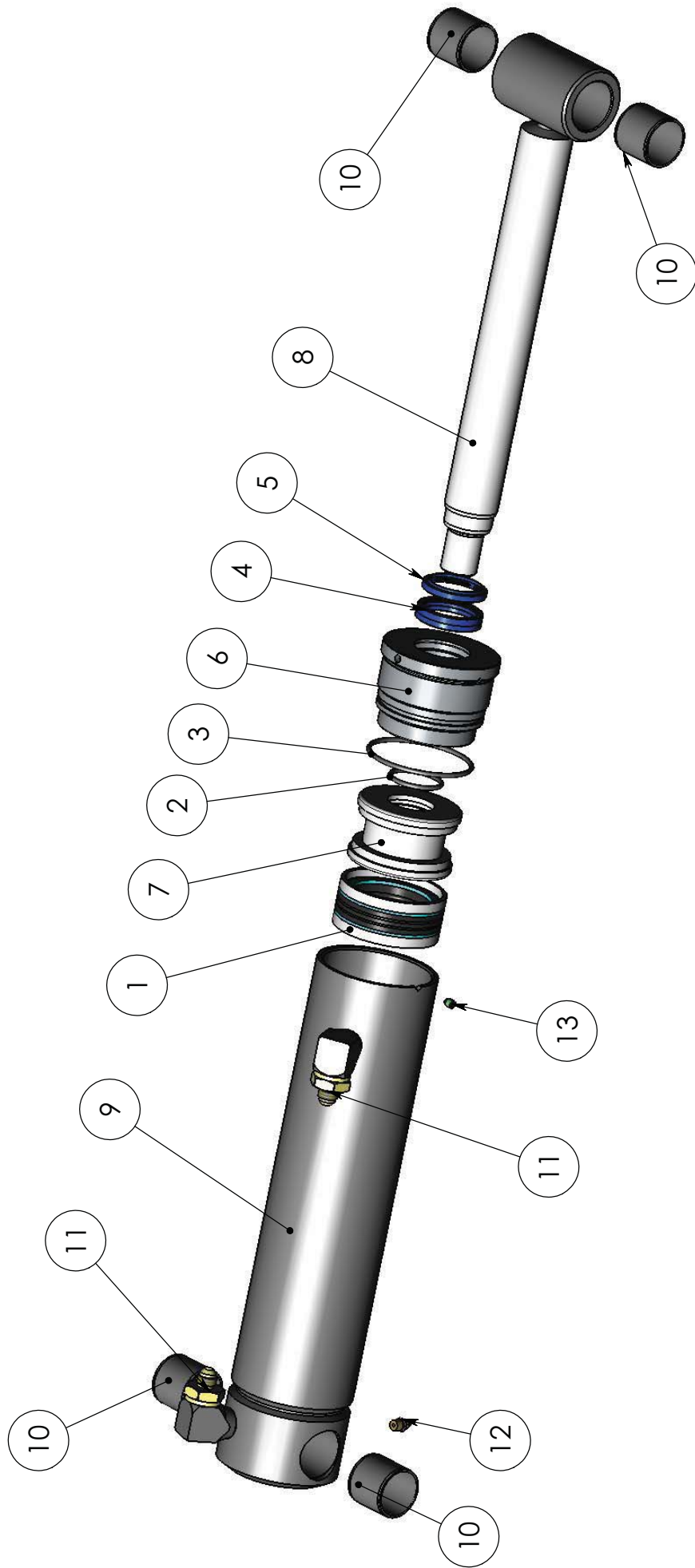




SPARE PART LIST

Item code	29012832	Revision	A
Title	GRAPPLE	Date	13.07.2012
Specification	PRO G25		

Pos	Item code	Title	Specification	Pc	Nto Weight
1	29012833	FRAME		1	28.01
2	3302501	CYLINDER	80X40X234	1	14.45
3	29012845	JAW	INNER	1	28.83
4	29012852	JAW	OUTER	1	28.8
5	29012843	STABILIZER		1	4.72
6	3100001	BUSHING	PM 4050 DX	4	0.1
7	3050003	GREASE NIPPLE	M8X1,25 DIN 71412	6	0
8	3280431	PLATE	125X45X1	1	0
9	3100464	BUSHING	PM 3525 DX	2	0.05
10	29012860	AXLE	40-109	2	1.04
11	29012862	AXLE	40-109	2	1.05
12	29012880	AXLE	35-174	1	1.28
13	29016983	AXLE	35-142	1	1.05
14	29012882	AXLE	50/35-70	1	0.54
15	3010216	ALLEN SCREW	M8X60 12.9 DIN 912	4	0.03
16	3020001	NUT	M8 ZN DIN 985	7	0.01
17	3011012	ALLEN SCREW	M8X55 12.9 DIN912	3	0.03
18	29014244	SLEEVE	50/35-6	2	0.01
19	3281593	DECAL	KESLA	2	0.01
20	3281595	DECAL	PRO G25	2	0
21	3281643	DECAL	STUDY MANUAL	1	0.01
22	3281644	DECAL	DANGER OF CRUSHING	1	0.01

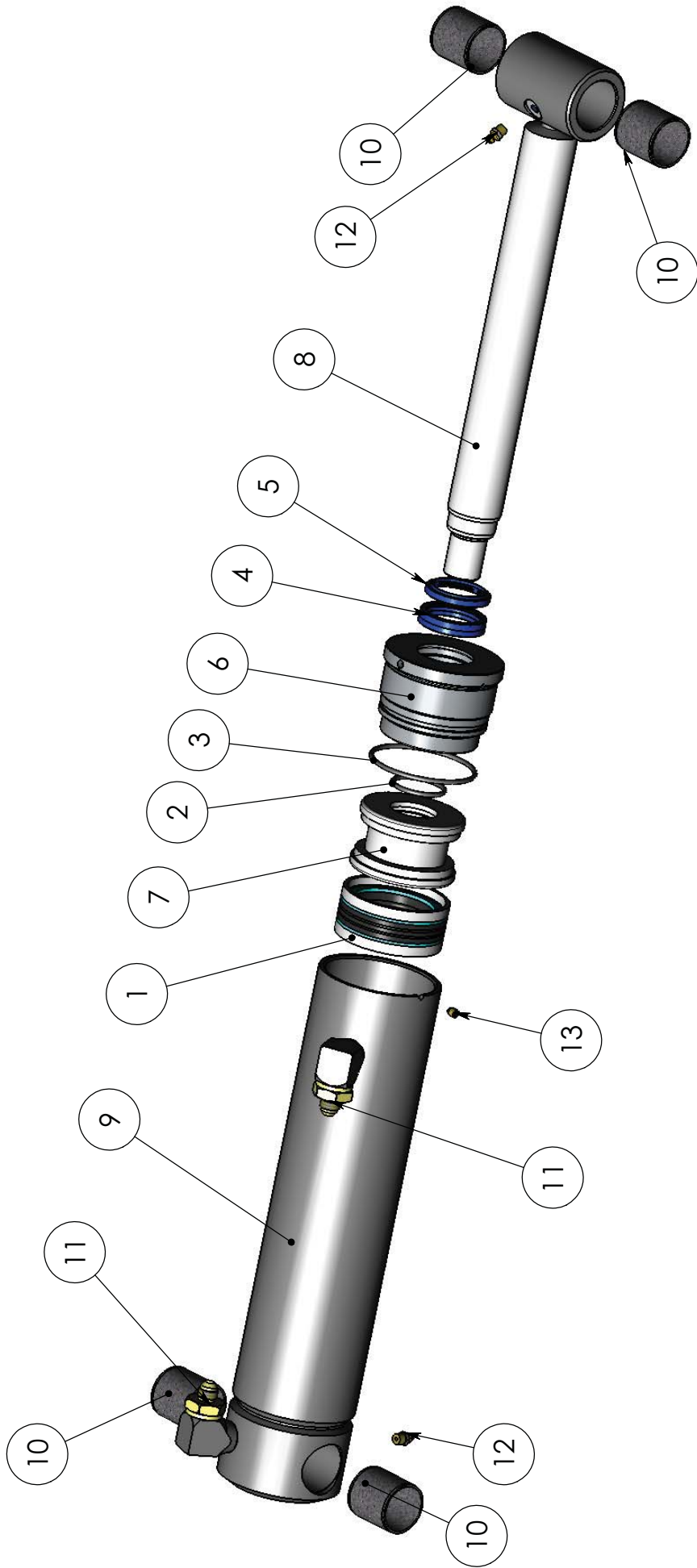




SPARE PART LIST

Item code	3302256	Revision	-
Title	CYLINDER	Date	05.12.2014
Specification	80X40X234 408-101-005092		

Pos	Item code	Title	Specification	Pc	Nto Weight
1	3111191	PISTON SEAL	324-925-000006	1	0
2	3110254	O-RING	36.2X3 NBR90	1	0.01
3	3111192	O-RING	75X3 NBR90	1	0.01
4	3111193	ROD SEAL	TTI 1615/1 40X50X10/11/L	1	0.04
5	3111177	WIPER SEAL	324-914-000019	1	0.02
6	3111195	GUIDANCE	HCP1.80.40.234-103	1	1.93
7	3302266	PISTON	408-101-000828	1	1.16
8	3302267	PISTON ROD	HCP1-80.40.234-0102	1	4.17
9	3302268	CYLINDER BARREL	HCP1-80.40.234-020	1	6.65
10	3100169	BUSHING	PM 3535 DX	4	0.06
11	3090965	CONNECTOR	6010-08-06	2	0.09
12	3050022	GREASE NIPPLE	M8X1	1	0
13	3011032	ALLEN SCREW	324-500-000746	1	0
14	3111194	SEAL KIT	408-101-005092	1	0.08



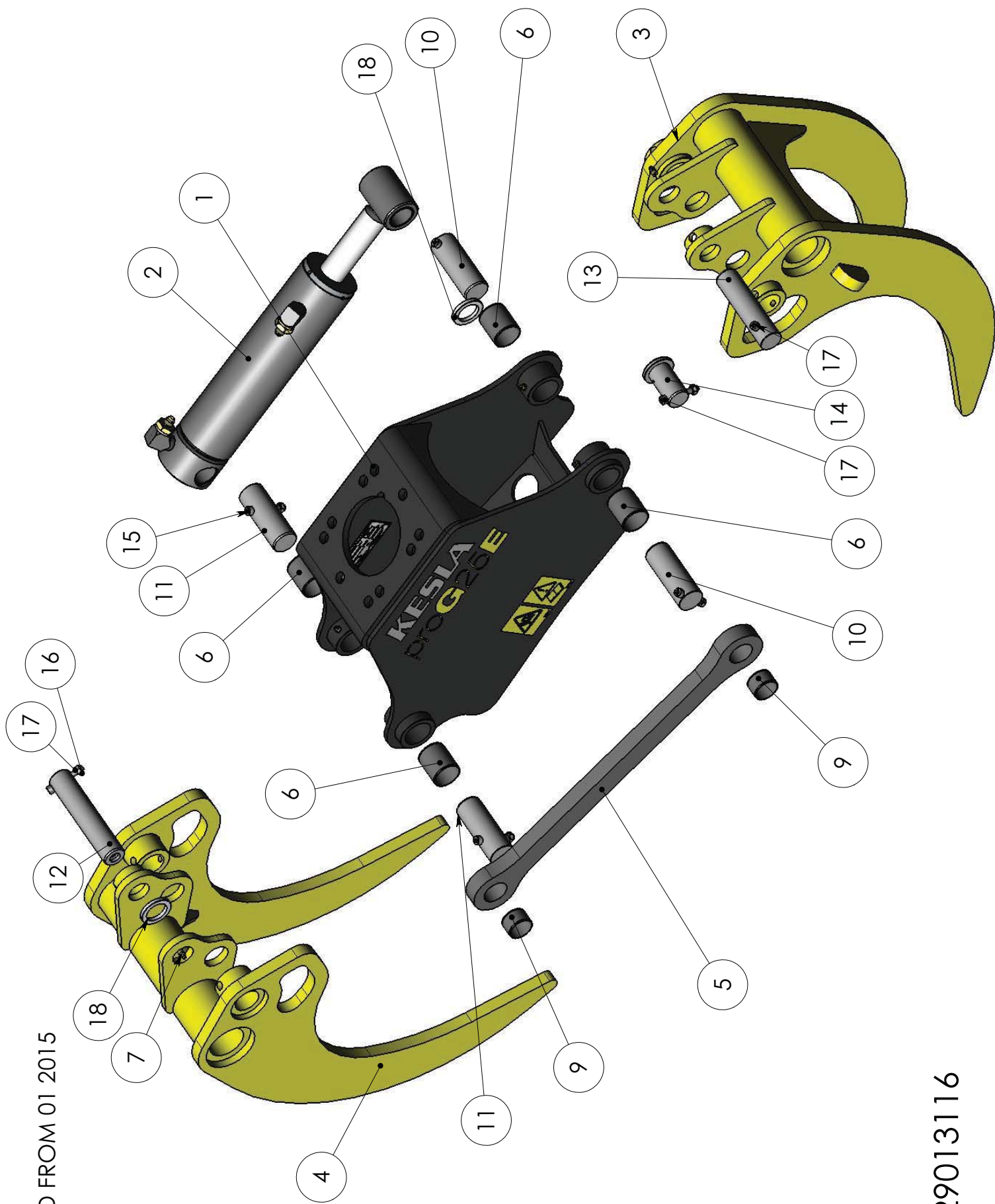
3302501



SPARE PART LIST

Item code	3302501	Revision	-
Title	CYLINDER	Date	18.01.2016
Specification	80X40X234		

Pos	Item code	Title	Specification	Pc	Nto Weight
1	3111191	PISTON SEAL	324-925-000006	1	0
2	3110254	O-RING	36,2X3 NBR90	1	0.01
3	3111192	O-RING	75X3 NBR90	1	0.01
4	3111193	ROD SEAL	TTI 1615/1 40X50X10/11/L	1	0.04
5	3111177	WIPER SEAL	324-914-000019	1	0.02
6	3111195	GUIDANCE	HCP1-80.40.234-103	1	1.93
7	3302266	PISTON	408-101-000828	1	1.16
8	3302267	PISTON ROD	HCP1-80.40.234-0102	1	4.17
9	3302268	CYLINDER BARREL	HCP1-80.40.234-020	1	6.65
10	3100196	BUSHING	WB 802 3540	4	0.07
11	3090965	CONNECTOR	6010-08-06	2	0.09
12	3050022	GREASE NIPPLE	M8X1	2	0
13	3011032	ALLEN SCREW	324-500-000746	1	0

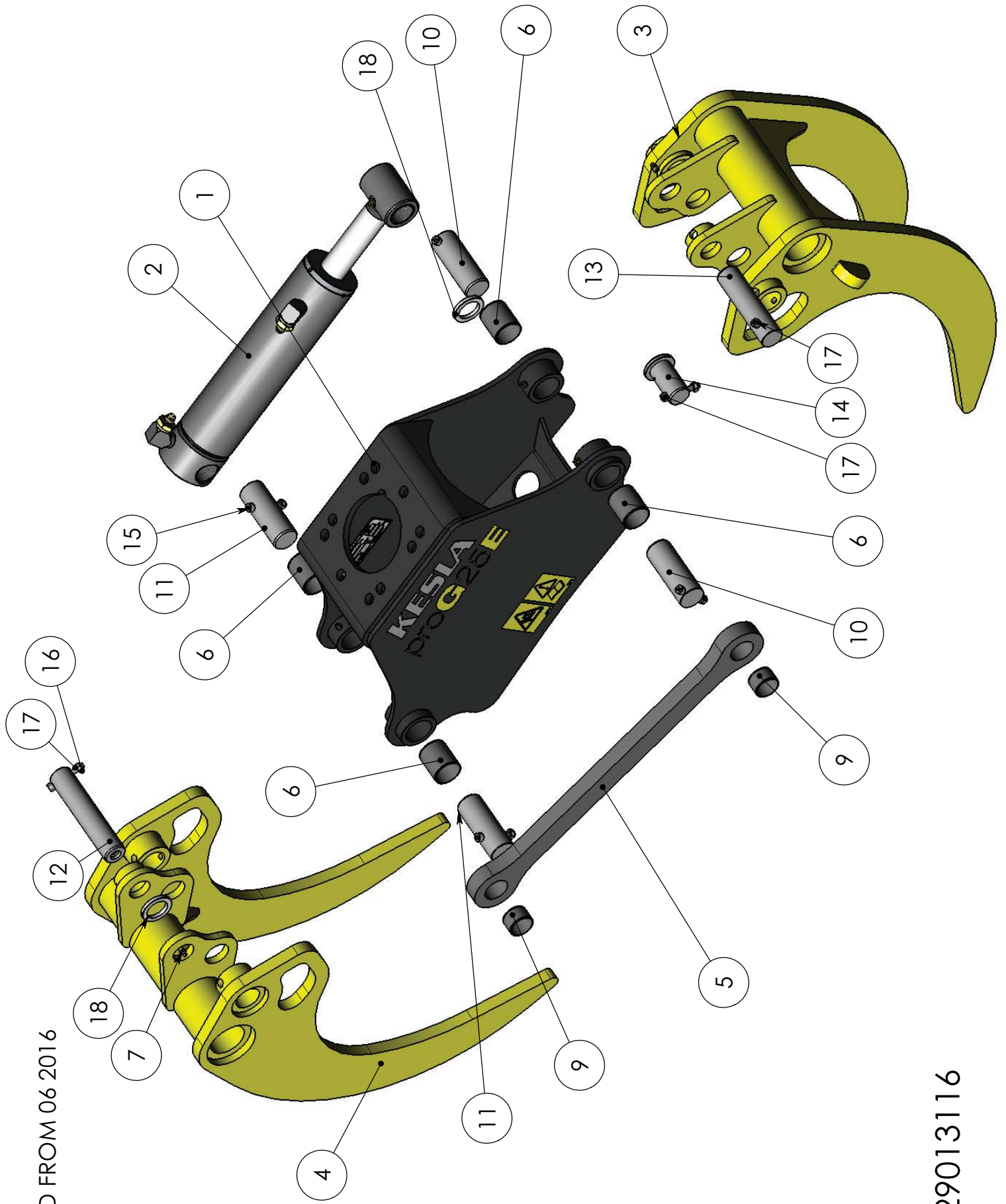




SPARE PART LIST

Item code	29013116	Revision	-
Title	GRAPPLE	Date	19.09.2012
Specification	PRO G25E		

Pos	Item code	Title	Specification	Pc	Nto Weight
1	29012833	FRAME		1	28.01
2	3302256	CYLINDER	80X40X234 408-101-005092	1	14.49
3	29013117	JAW	INNER	1	33.91
4	29013118	JAW	OUTER	1	33.19
5	29012843	STABILIZER		1	4.72
6	3100001	BUSHING	PM 4050 DX	4	0.1
7	3050003	GREASE NIPPLE	M8X1,25 DIN 71412	7	0
8	3280431	PLATE	125X45X1	1	0
9	3100464	BUSHING	PM 3525 DX	2	0.05
10	29012860	AXLE	40-109	2	1.04
11	29012862	AXLE	40-109	2	1.05
12	29012880	AXLE	35-174	1	1.28
13	29012881	AXLE	35-142	1	1.03
14	29012882	AXLE	50/35-70	1	0.54
15	3010216	ALLEN SCREW	M8X60 12.9 DIN 912	4	0.03
16	3020001	NUT	M8 ZN DIN 985	7	0.01
17	3011012	ALLEN SCREW	M8X55 12.9 DIN912	3	0.03
18	29014244	SLEEVE	50/35-6	2	0.01
19	3281593	DECAL	KESLA	2	0.01
20	3281596	DECAL	PRO G25E	2	0.01
21	3281644	DECAL	DANGER OF CRUSHING	1	0.01
22	3281643	DECAL	STUDY MANUAL	1	0.01

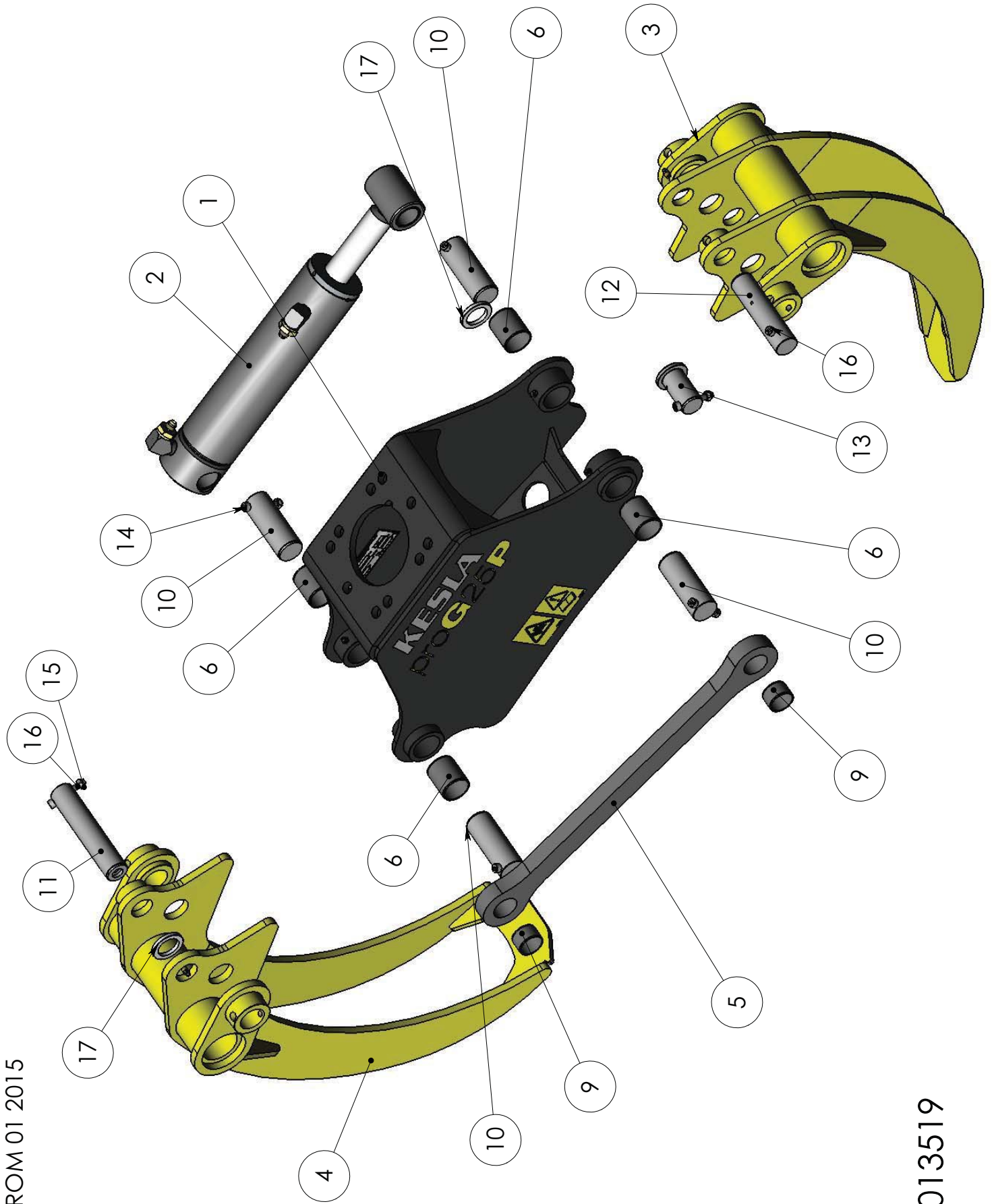




SPARE PART LIST

Item code	29013116	Revision	A
Title	GRAPPLE	Date	19.09.2012
Specification	PRO G25E		

Pos	Item code	Title	Specification	Pc	Nto Weight
1	29012833	FRAME		1	28.01
2	3302501	CYLINDER	80X40X234	1	14.45
3	29013117	JAW	INNER	1	33.91
4	29013118	JAW	OUTER	1	33.19
5	29012843	STABILIZER		1	4.72
6	3100001	BUSHING	PM 4050 DX	4	0.1
7	3050003	GREASE NIPPLE	M8X1,25 DIN 71412	7	0
8	3280431	PLATE	125X45X1	1	0
9	3100464	BUSHING	PM 3525 DX	2	0.05
10	29012860	AXLE	40-109	2	1.04
11	29012862	AXLE	40-109	2	1.05
12	29012880	AXLE	35-174	1	1.28
13	29016983	AXLE	35-142	1	1.05
14	29012882	AXLE	50/35-70	1	0.54
15	3010216	ALLEN SCREW	M8X60 12.9 DIN 912	4	0.03
16	3020001	NUT	M8 ZN DIN 985	7	0.01
17	3011012	ALLEN SCREW	M8X55 12.9 DIN912	3	0.03
18	29014244	SLEEVE	50/35-6	2	0.01
19	3281593	DECAL	KESLA	2	0.01
20	3281596	DECAL	PRO G25E	2	0.01
21	3281644	DECAL	DANGER OF CRUSHING	1	0.01
22	3281643	DECAL	STUDY MANUAL	1	0.01

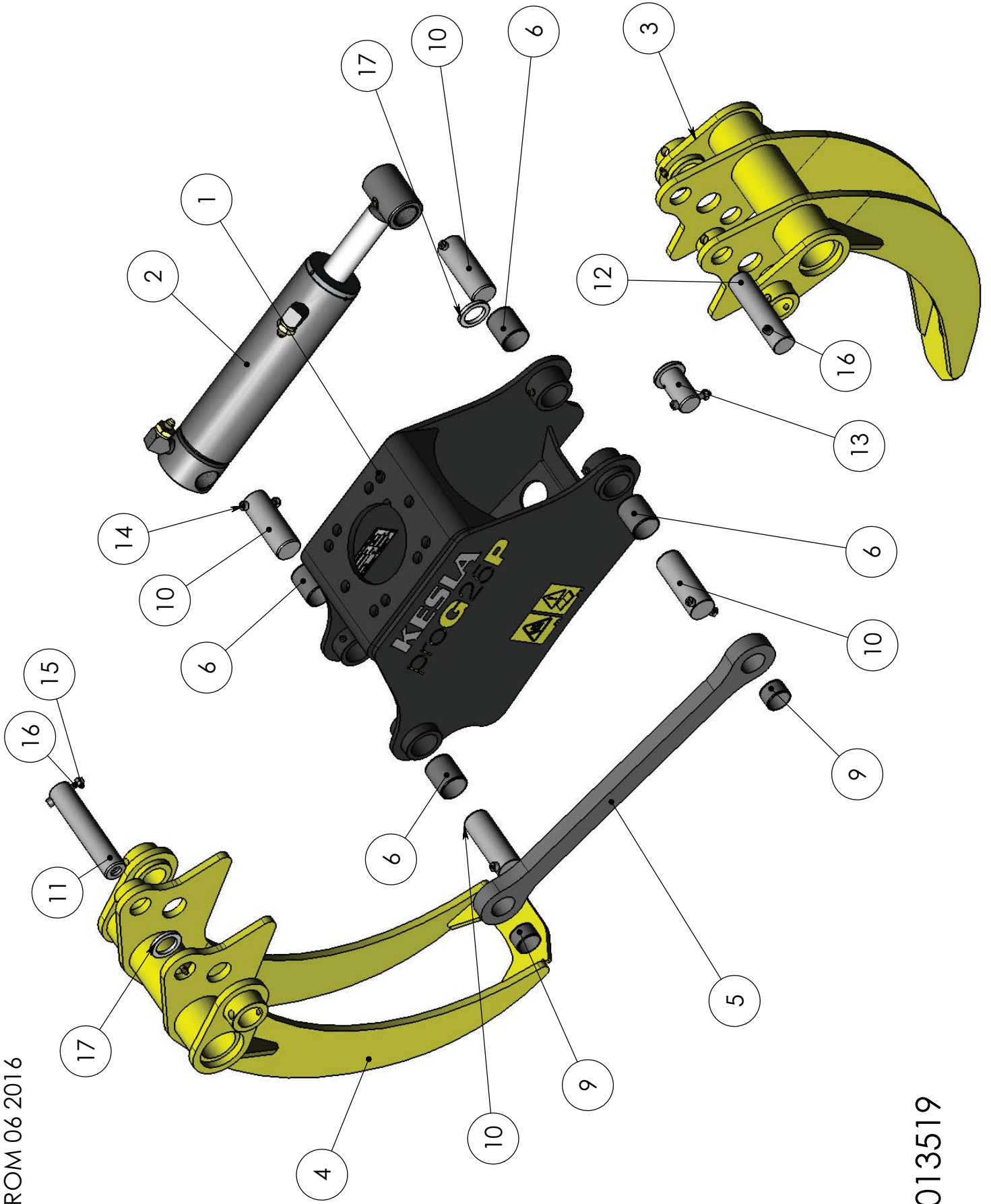




SPARE PART LIST

Item code	29013519	Revision	-
Title	GRAPPLE	Date	14.12.2012
Specification	PRO G25 P		

Pos	Item code	Title	Specification	Pc	Nto Weight
1	29012833	FRAME		1	28.01
2	3302256	CYLINDER	80X40X234 408-101-005092	1	14.49
3	29013520	JAW	INNER	1	23.34
4	29013521	JAW	OUTER	1	23.71
5	29012843	STABILIZER		1	4.72
6	3100001	BUSHING	PM 4050 DX	4	0.1
7	3050003	GREASE NIPPLE	M8X1,25 DIN 71412	7	0
8	3280431	PLATE	125X45X1	1	0
9	3100464	BUSHING	PM 3525 DX	2	0.05
10	29012860	AXLE	40-109	4	1.04
11	29012880	AXLE	35-174	1	1.28
12	29012881	AXLE	35-142	1	1.03
13	29012882	AXLE	50/35-70	1	0.54
14	3010216	ALLEN SCREW	M8X60 12.9 DIN 912	4	0.03
15	3020001	NUT	M8 ZN DIN 985	7	0.01
16	3011012	ALLEN SCREW	M8X55 12.9 DIN912	3	0.03
17	29014244	SLEEVE	50/35-6	2	0.01
18	3281593	DECAL	KESLA	2	0.01
19	3281597	DECAL	PRO G25P	2	0.01
20	3281643	DECAL	STUDY MANUAL	1	0.01
21	3281644	DECAL	DANGER OF CRUSHING	1	0.01





SPARE PART LIST

Item code	29013519	Revision	A
Title	GRAPPLE	Date	14.12.2012
Specification	PRO G25 P		

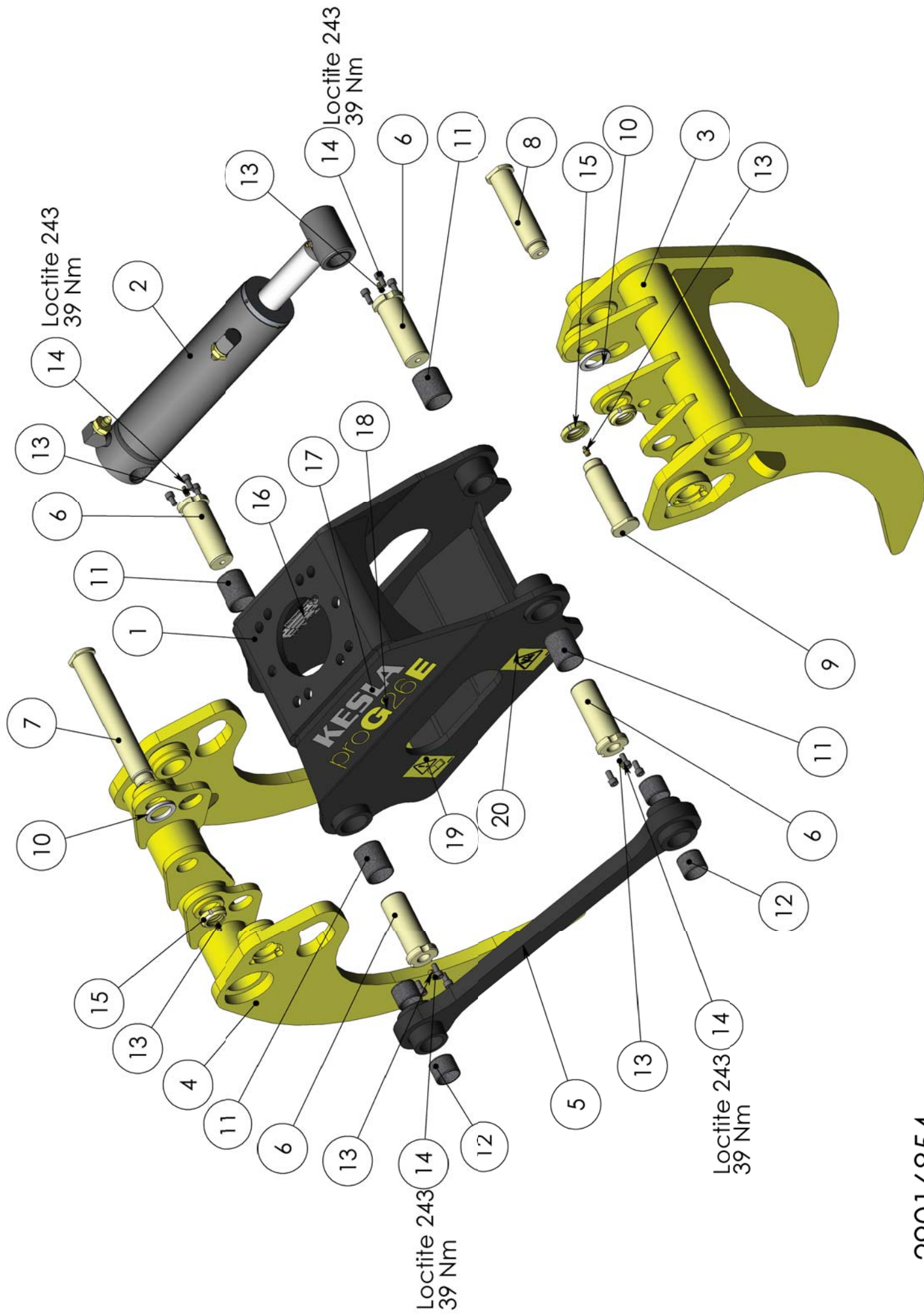
Pos	Item code	Title	Specification	Pc	Nto Weight
1	29012833	FRAME		1	28.01
2	3302501	CYLINDER	80X40X234	1	14.45
3	29013520	JAW	INNER	1	23.34
4	29013521	JAW	OUTER	1	23.71
5	29012843	STABILIZER		1	4.72
6	3100001	BUSHING	PM 4050 DX	4	0.1
7	3050003	GREASE NIPPLE	M8X1,25 DIN 71412	7	0
8	3280431	PLATE	125X45X1	1	0
9	3100464	BUSHING	PM 3525 DX	2	0.05
10	29012860	AXLE	40-109	4	1.04
11	29012880	AXLE	35-174	1	1.28
12	29016983	AXLE	35-142	1	1.05
13	29012882	AXLE	50/35-70	1	0.54
14	3010216	ALLEN SCREW	M8X60 12.9 DIN 912	4	0.03
15	3020001	NUT	M8 ZN DIN 985	7	0.01
16	3011012	ALLEN SCREW	M8X55 12.9 DIN912	3	0.03
17	29014244	SLEEVE	50/35-6	2	0.01
18	3281593	DECAL	KESLA	2	0.01
19	3281597	DECAL	PRO G25P	2	0.01
20	3281643	DECAL	STUDY MANUAL	1	0.01
21	3281644	DECAL	DANGER OF CRUSHING	1	0.01



SPARE PART LIST

Item code	29016654	Revision	-
Title	GRAPPLE	Date	15.12.2015
Specification	PRO G26		

Pos	Item code	Title	Specification	Pc	Nto Weight
1	29016655	FRAME	PRO G26	1	38.2
2	3302501	CYLINDER	80X40X234	1	14.9
3	29016659	JAW	INNER	1	31.78
4	29016660	JAW	OUTER	1	31.58
5	29016653	STABILIZER		1	5.9
6	29016663	AXLE	50/40-115	4	1.12
7	29016722	AXLE	45/35-242	1	1.78
8	29016709	AXLE	45/35-153	1	1.14
9	29016721	AXLE	45/35-127	1	0.91
10	29014244	SLEEVE	50/35-6	2	0.01
11	3100188	BUSHING	WB 802 4050	4	0.1
12	3100222	BUSHING	WB 802 3530	4	0.05
13	3050003	GREASE NIPPLE	M8X1.25 DIN 71412	6	0
14	3010897	ALLEN SCREW	M8X16 12.9 DIN 912	12	0.01
15	3020173	NUT	KM6 NYLOC 981	3	0.06
16	3280431	PLATE	125X45X1	1	0
17	3281593	DECAL	KESLA	2	0.01
18	3281699	DECAL	PRO G26	2	0
19	3281643	DECAL	STUDY MANUAL	1	0.01
20	3281644	DECAL	DANGER OF CRUSHING	1	0.01



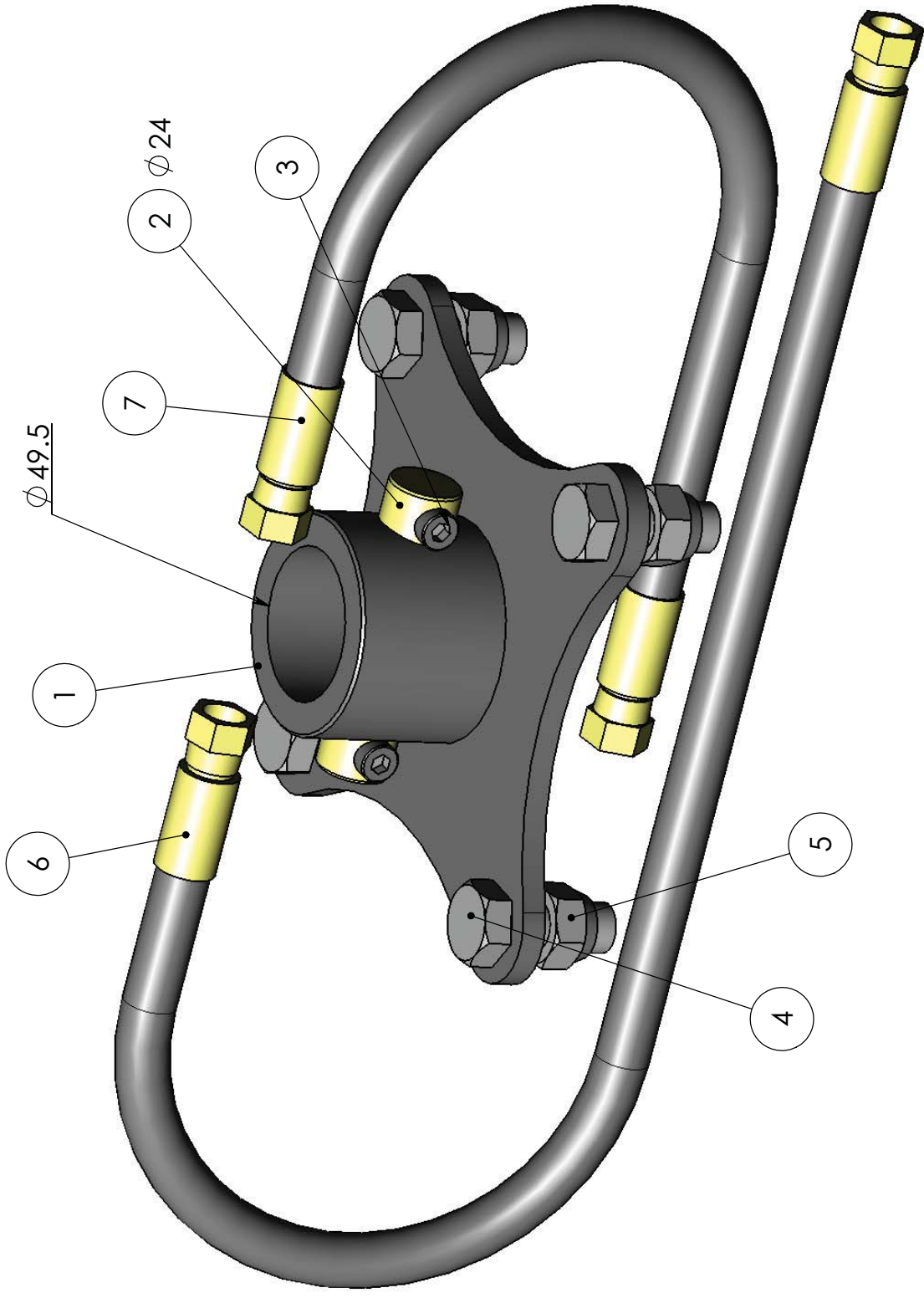
29016854



SPARE PART LIST

Item code	29016854	Revision	-
Title	GRAPPLE	Date	29.02.2016
Specification	PRO G26E		

Pos	Item code	Title	Specification	Pc	Nto Weight
1	29016655	FRAME	PRO G26	1	38.2
2	3302501	CYLINDER	80X40X234	1	14.45
3	29016855	JAW	INNER	1	36.1
4	29016856	JAW	OUTER	1	34.74
5	29016653	STABILIZER		1	5.9
6	29016663	AXLE	50/40-115	4	1.12
7	29016722	AXLE	45/35-242	1	1.78
8	29016709	AXLE	45/35-153	1	1.14
9	29016721	AXLE	45/35-127	1	0.91
10	29014244	SLEEVE	50/35-6	2	0.01
11	3100188	BUSHING	WB 802 4050	4	0.1
12	3100222	BUSHING	WB 802 3530	4	0.05
13	3050003	GREASE NIPPLE	M8X1.25 DIN 71412	6	0
14	3010897	ALLEN SCREW	M8X16 12.9 DIN 912	12	0.01
15	3020173	NUT	KM6 NYLOC 981	3	0.06
16	3280431	PLATE	125X45X1	1	0
17	3281593	DECAL	KESLA	2	0.01
18	3281700	DECAL	PRO G26E	2	0.01
19	3281643	DECAL	STUDY MANUAL	1	0.01
20	3281644	DECAL	DANGER OF CRUSHING	1	0.01



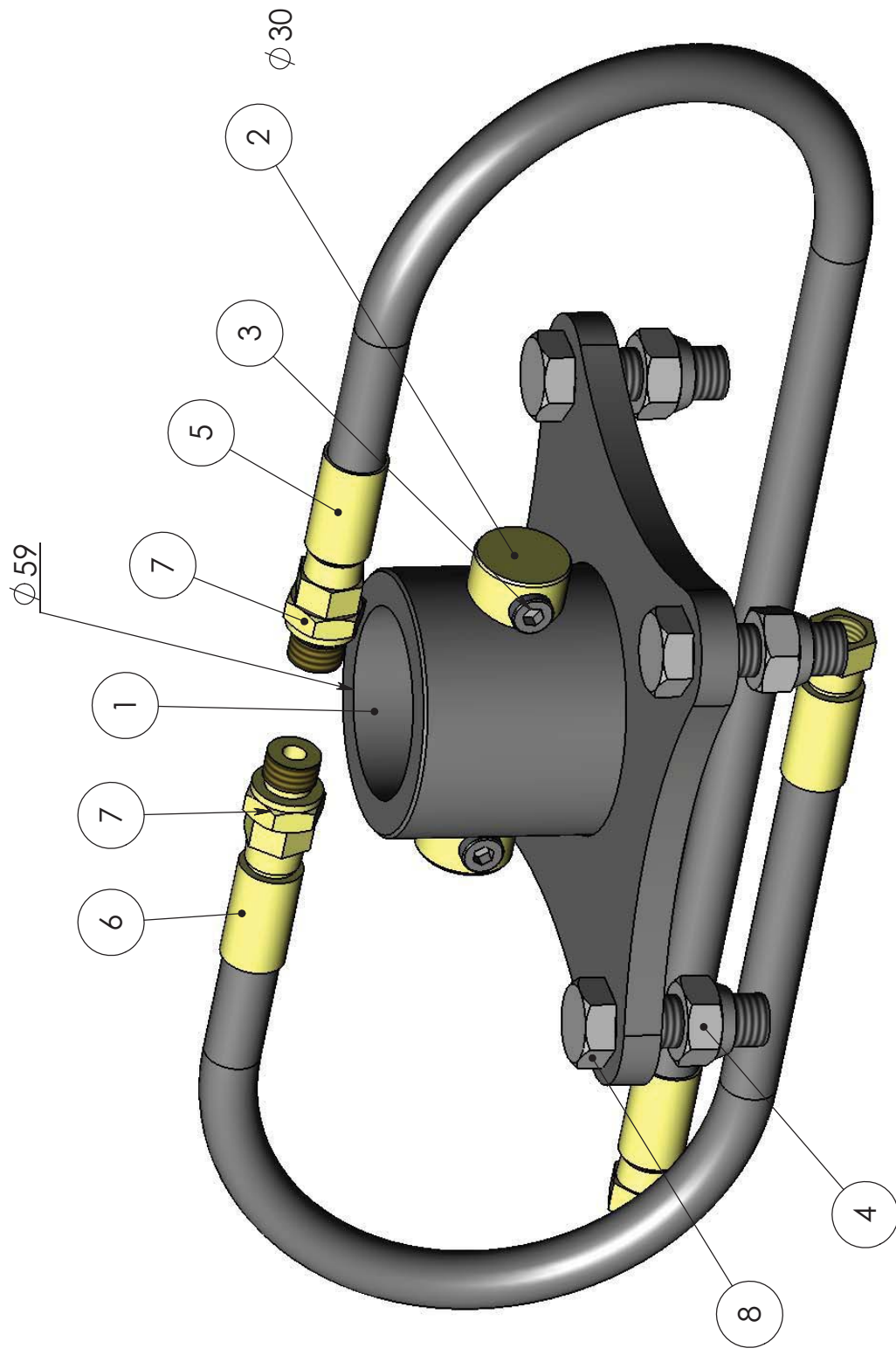
29013416 FR7 / proG20,proG25,proG25E,proG25P



SPARE PART LIST

Item code	29013416	Revision	-
Title	ASSEMBLY	Date	30.11.2012
Specification	FR7 / PROG20 ADAPTER		

Pos	Item code	Title	Specification	Pc	Nto Weight
1	29012978	FLANGE	FR 7 ADAPTER	1	2.21
2	29013073	AXLE	24-100	1	0.34
3	3010969	ALLEN SCREW	M8X20 12.9 DIN 912	2	0.02
4	3010024	HEW SCREW	M16X40 8.8 ZN DIN 933	4	0
5	3020010	NUT	M16 ZN DIN 985	4	0.03
6	3133369	HYDRAULIC HOSE	A50005-06-06/24IT-06/A50005-06-06/L=690	1	0.95
7	3133370	HYDRAULIC HOSE	A50005-06-06/24IT-06/A50005-06-06/L=490	1	0.7



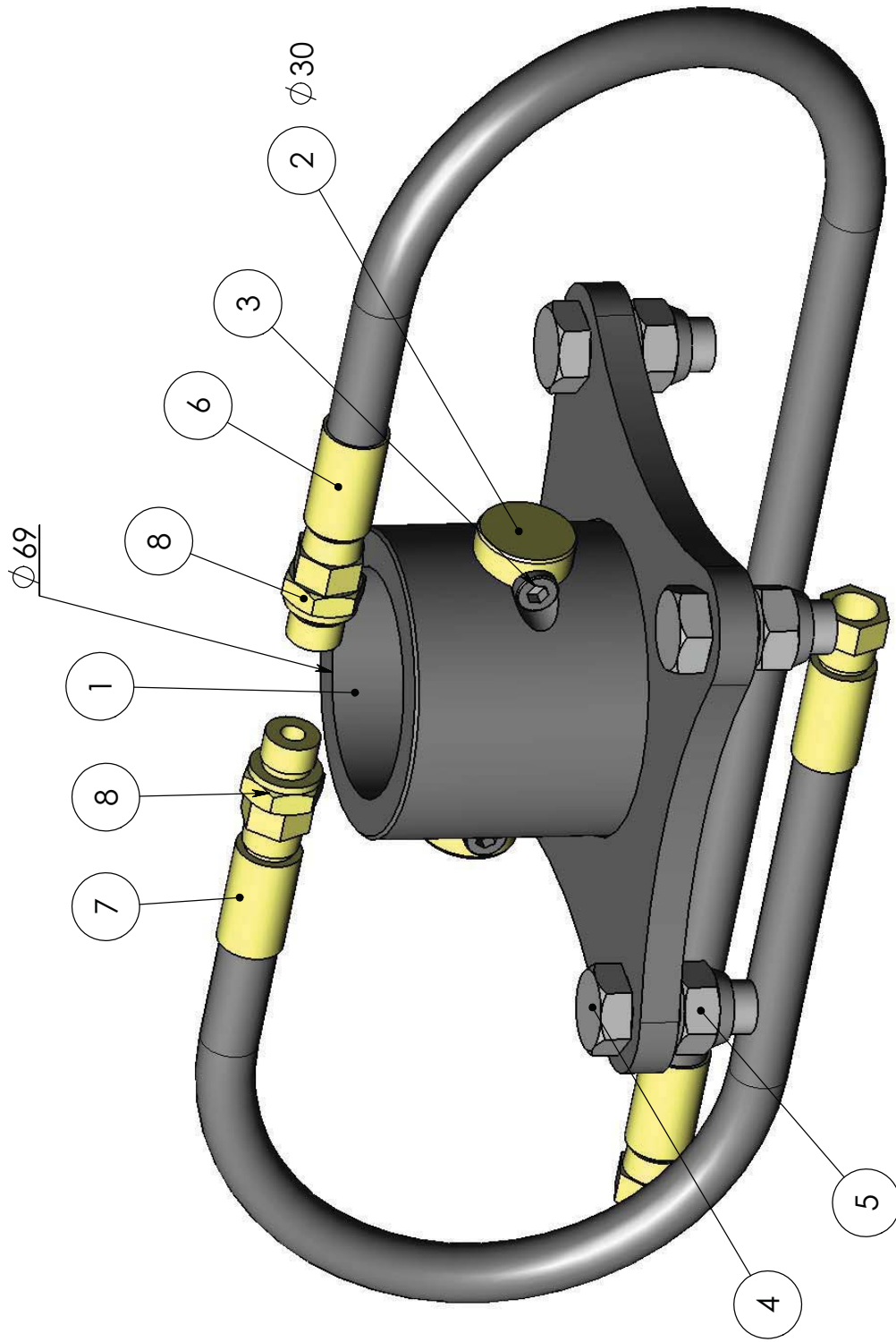
2901 4082 FR10 / proG20,proG25,proG25E,proG25P



SPARE PART LIST

Item code	29014082	Revision	A
Title	ASSEMBLY	Date	03.05.2013
Specification	FR10 / PROG20,25 ADAPTER		

Pos	Item code	Title	Specification	Pc	Nto Weight
1	29014083	FLANGE	FR 10 ADAPTER	1	3.55
2	29014086	AXLE	30-110	1	0.59
3	3010969	ALLEN SCREW	M8X20 12.9 DIN 912	2	0.02
4	3020010	NUT	M16 ZN DIN 985	4	0.03
5	3133369	HYDRAULIC HOSE	A50005-06-06/24IT-06/A50005-06-06/L=690	1	0.95
6	3133370	HYDRAULIC HOSE	A50005-06-06/24IT-06/A50005-06-06/L=490	1	0.7
7	3090901	CONNECTOR	6010-06-06	2	0.05
8	3010074	HEX SCREW	M16X50 8.8 ZN DIN 933	4	0



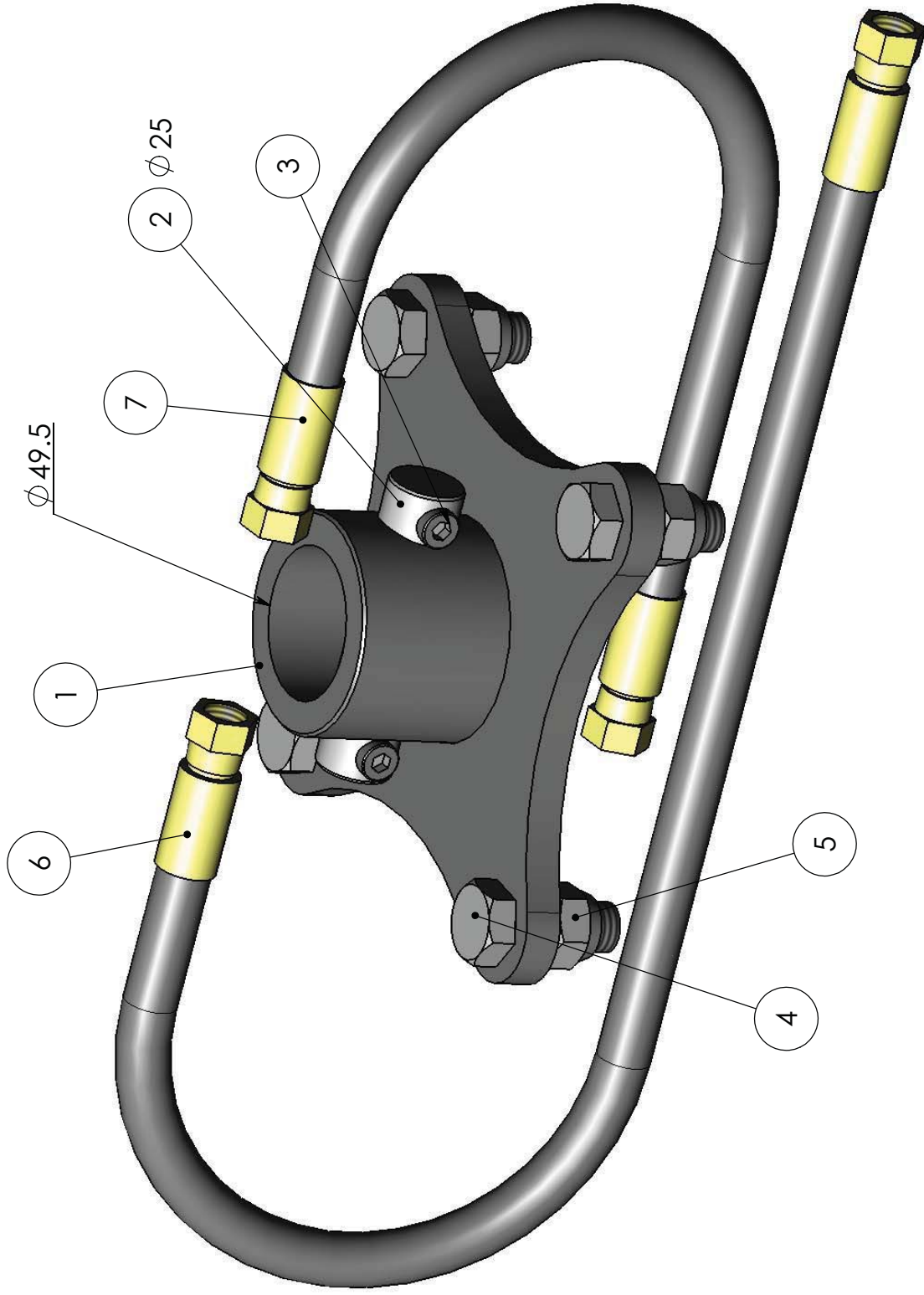
2901 4477 FR15 / proG20,proG25,proG25E,proG25P



SPARE PART LIST

Item code	29014477	Revision	-
Title	ASSEMBLY	Date	26.09.2013
Specification	FR15 / PROG20.25 ADAPTER		

Pos	Item code	Title	Specification	Pc	Nto Weight
1	29014478	FLANGE	FR 15 ADAPTER	1	3.72
2	29014086	AXLE	30-110	1	0.59
3	3010969	ALLEN SCREW	M8X20 12.9 DIN 912	2	0.02
4	3010024	HEW SCREW	M16X40 8.8 ZN DIN 933	4	0
5	3020010	NUT	M16 ZN DIN 985	4	0.03
6	3133369	HYDRAULIC HOSE	A50005-06-06/24IT-06/A50005-06-06/L=690	1	0.95
7	3133370	HYDRAULIC HOSE	A50005-06-06/24IT-06/A50005-06-06/L=490	1	0.7
8	3090901	CONNECTOR	6010-06-06	2	0.05



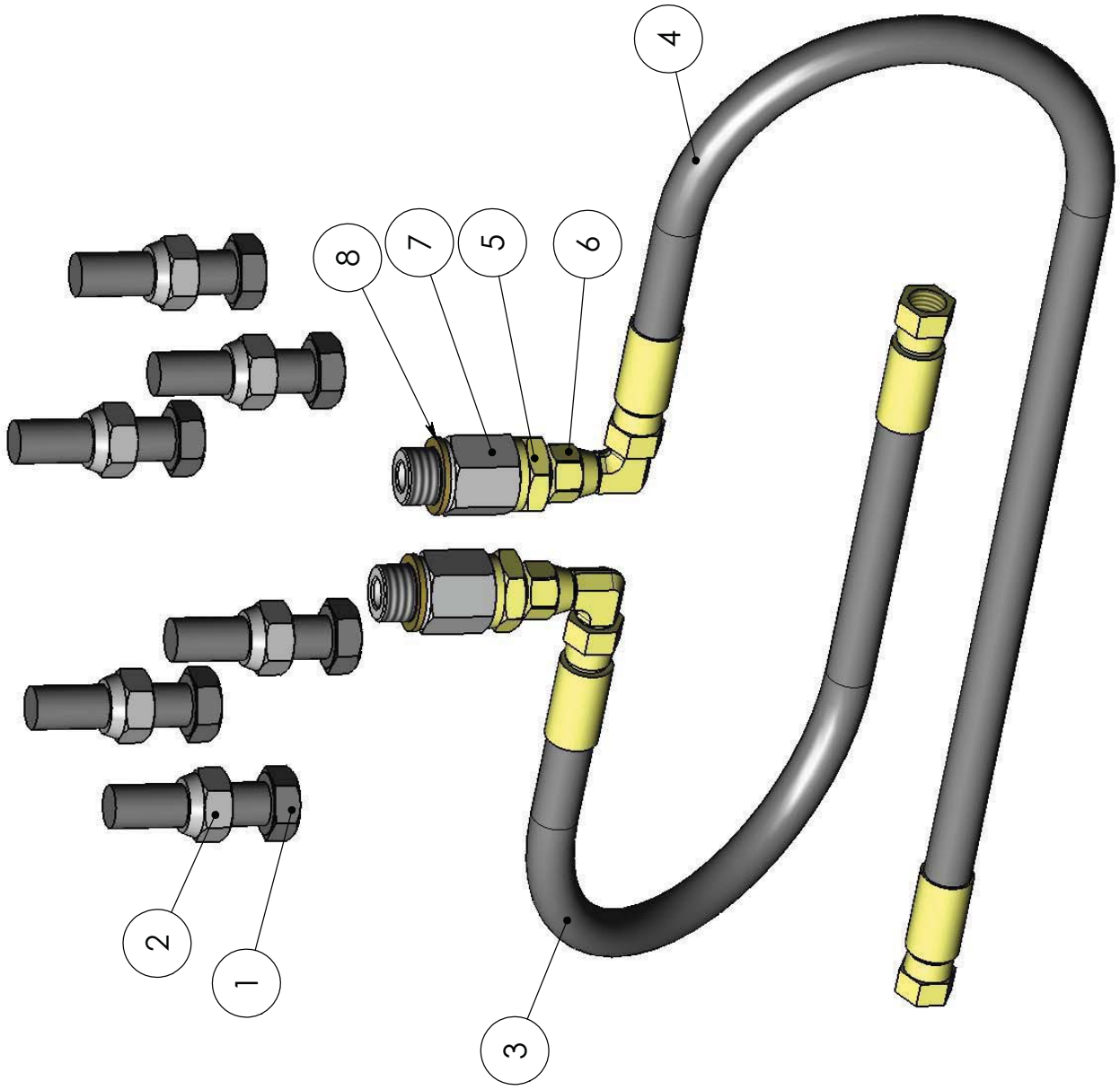
29015446 CR300 / proG20,proG25,proG25E,proG25P



SPARE PART LIST

Item code	29015446	Revision	-
Title	ASSEMBLY	Date	18.08.2014
Specification	CR300 / PROG20 ADAPTER		

Pos	Item code	Title	Specification	Pc	Nto Weight
1	29015447	FLANGE	CR300 ADAPTER	1	2.98
2	29015449	AXLE	25-100	1	0.36
3	3010969	ALLEN SCREW	M8X20 12.9 DIN 912	2	0.02
4	3010024	HEW SCREW	M16X40 8.8 ZN DIN 933	4	0
5	3020010	NUT	M16 ZN DIN 985	4	0.03
6	3133369	HYDRAULIC HOSE	A50005-06-06/24IT-06/A50005-06-06/L=690	1	0.95
7	3133370	HYDRAULIC HOSE	A50005-06-06/24IT-06/A50005-06-06/L=490	1	0.7



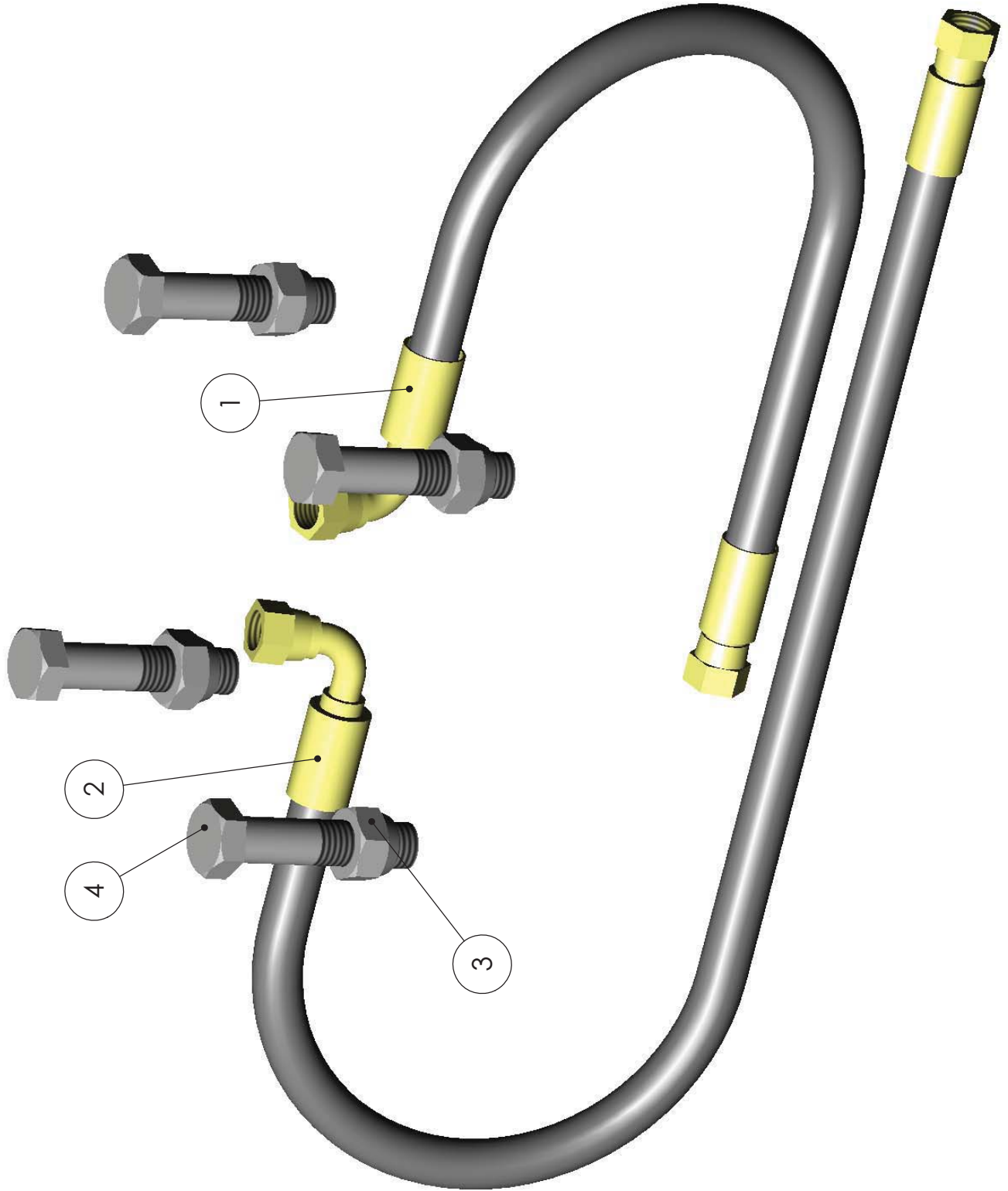
29015302 GR603 / proG25,proG25E,proG25P



SPARE PART LIST

Item code	29015302	Revision	-
Title	ASSEMBLY	Date	27.06.2014
Specification	GR603 / PROG25 MOUNT KIT		

Pos	Item code	Title	Specification	Pc	Nto Weight
1	3010121	HEW SCREW	M16X60 8.8 ZN DIN 931	6	0
2	3020010	NUT	M16 ZN DIN 985	6	0.03
3	3133370	HYDRAULIC HOSE	A50005-06-06/241T-06/A50005-06-06/L=490	1	0.7
4	3133369	HYDRAULIC HOSE	A50005-06-06/241T-06/A50005-06-06/L=690	1	0.95
5	3090965	CONNECTOR	6010-08-06	2	0.09
6	3090314	CONNECTOR	1130-06-06	2	0.07
7	3091326	CONNECTOR (STRAIGHT)	RSI 08-08	2	0.11
8	3110042	USIT-SEAL	R-08 R 1/2"	2	0.01



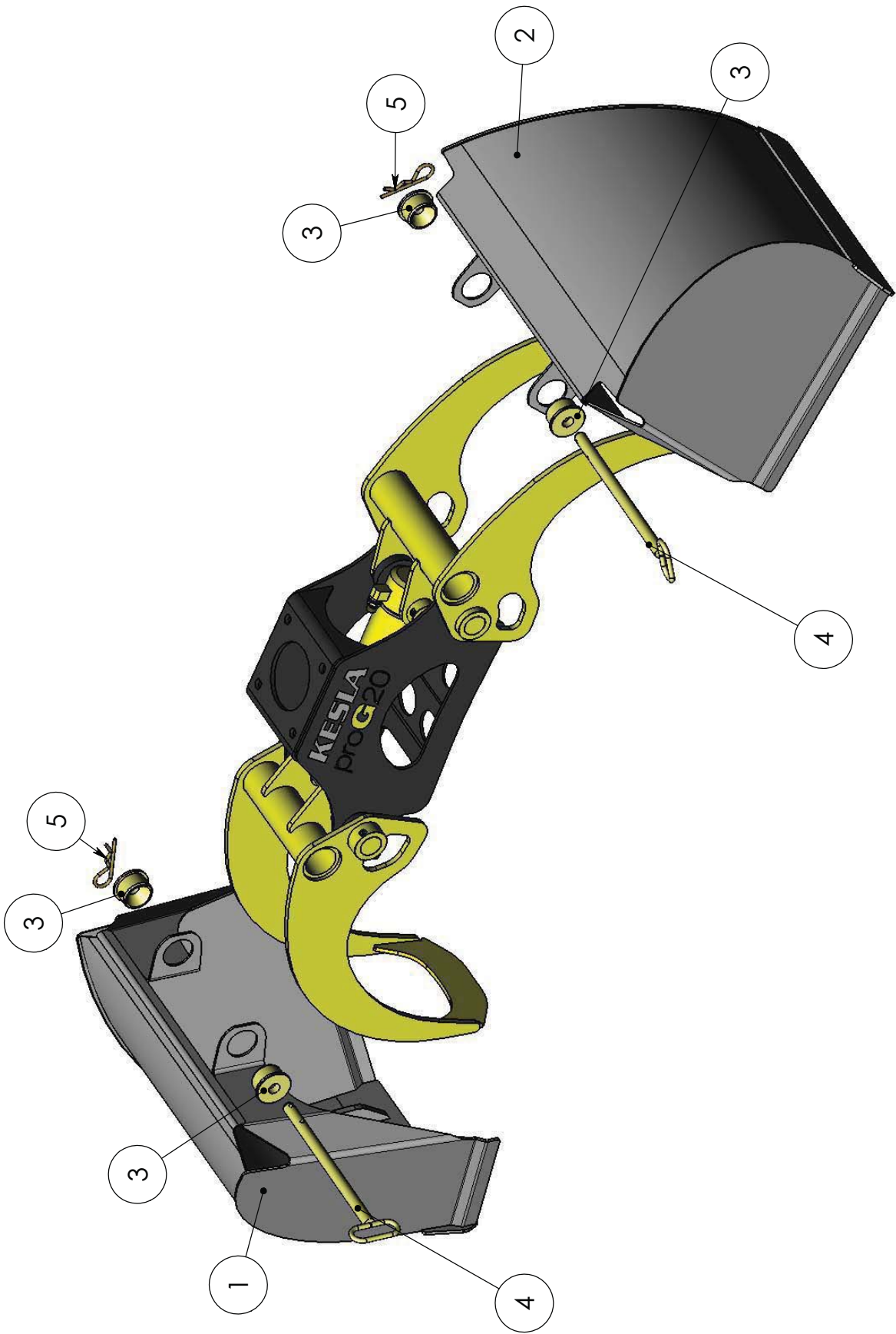
29015697 CR300X / proG20,proG25,proG25E,proG25P



SPARE PART LIST

Item code	29015697	Revision	A
Title	ASSEMBLY	Date	31.10.2014
Specification	CR300X / PROG20 ADAPTER		

Pos	Item code	Title	Specification	Pc	Nfo Weight
1	3134199	HYDRAULIC HOSE	A50005-06-06/241T-06/A50054-06-06/L=490	1	0.72
2	3134200	HYDRAULIC HOSE	A50005-06-06/241T-06/A50054-06-06/L=690	1	0.97
3	3020010	NUT	M16 ZN DIN 985	4	0.03
4	3010083	HEX SCREW	M16X70 8.8 ZN DIN 931	4	0



29013595



SPARE PART LIST

Item code	29013595	Revision	-
Title	BUCKET	Date	24.01.2013
Specification	ADDITIONAL BUCKET KIT		

Pos	Item code	Title	Specification	Pc	Nto Weight
1	29013593	BUCKET	INNER	1	23.94
2	29013598	BUCKET	OUTER	1	22.35
3	29013604	FLANGE	65/55-3.5	4	0.5
4	29013606	PIN	20-335	2	0.89
5	3040024	COTTER PIN	D=5 MM.ZN DIN 11024	2	0.04



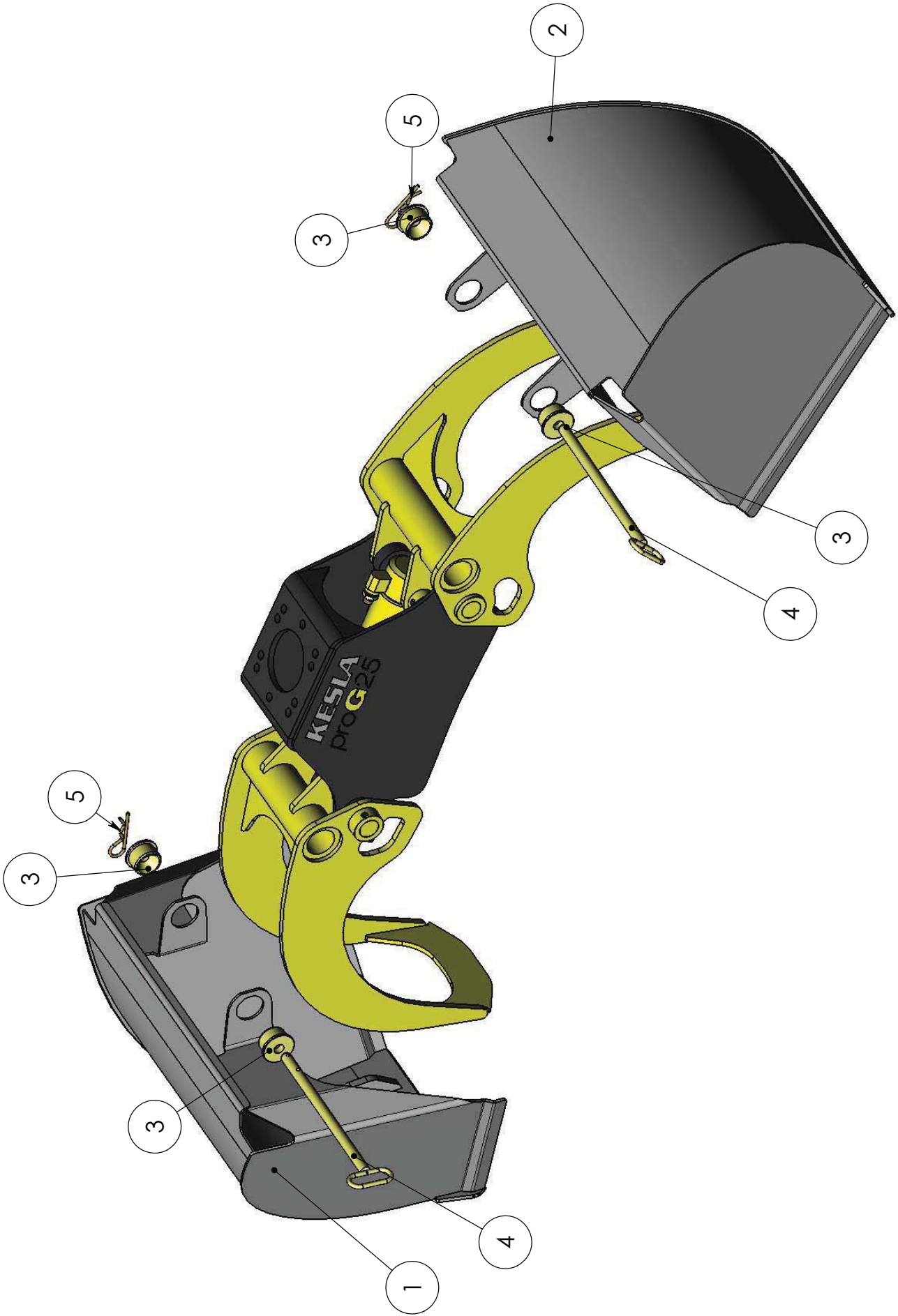
29013607



SPARE PART LIST

Item code	29013607	Revision	-
Title	BUCKET	Date	24.01.2013
Specification	ADDITIONAL FORK KIT (PRO G20)		

Pos	Item code	Title	Specification	Pc	Nto Weight
1	29013609	BUCKET	FORK INNER	1	14.69
2	29013618	BUCKET	FORK OUTER	1	15.65
3	3010152	HEW SCREW	M12X70 8.8 ZN DIN 931	4	0
4	3020005	NUT	M12 ZN DIN 985	4	0.02



29013632



SPARE PART LIST

Item code	29013632	Revision	-
Title	BUCKET	Date	28.01.2013
Specification	ADDITIONAL BUCKET KIT		

Pos	Item code	Title	Specification	Pc	Nto Weight
1	29013647	BUCKET	INNER	1	39.02
2	29013646	BUCKET	OUTER	1	37.47
3	29013604	FLANGE	65/55-3.5	4	0.5
4	29013663	PIN	20-365	2	0.97
5	3040024	COTTER PIN	D=5 MM.ZN DIN 11024	2	0.04



29013633



SPARE PART LIST

Item code	29013633	Revision	-
Title	BUCKET	Date	28.01.2013
Specification	ADDITIONAL FORK KIT (PRO G25)		

Pos	Item code	Title	Specification	Pc	Nto Weight
1	29013665	BUCKET	FORK INNER	1	23.22
2	29013671	BUCKET	FORK OUTER	1	24.67
3	3010158	HEW. SCREW	M12X80 8.8 ZN DIN 931	4	0
4	3020005	NUT	M12 ZN DIN 985	4	0.02

