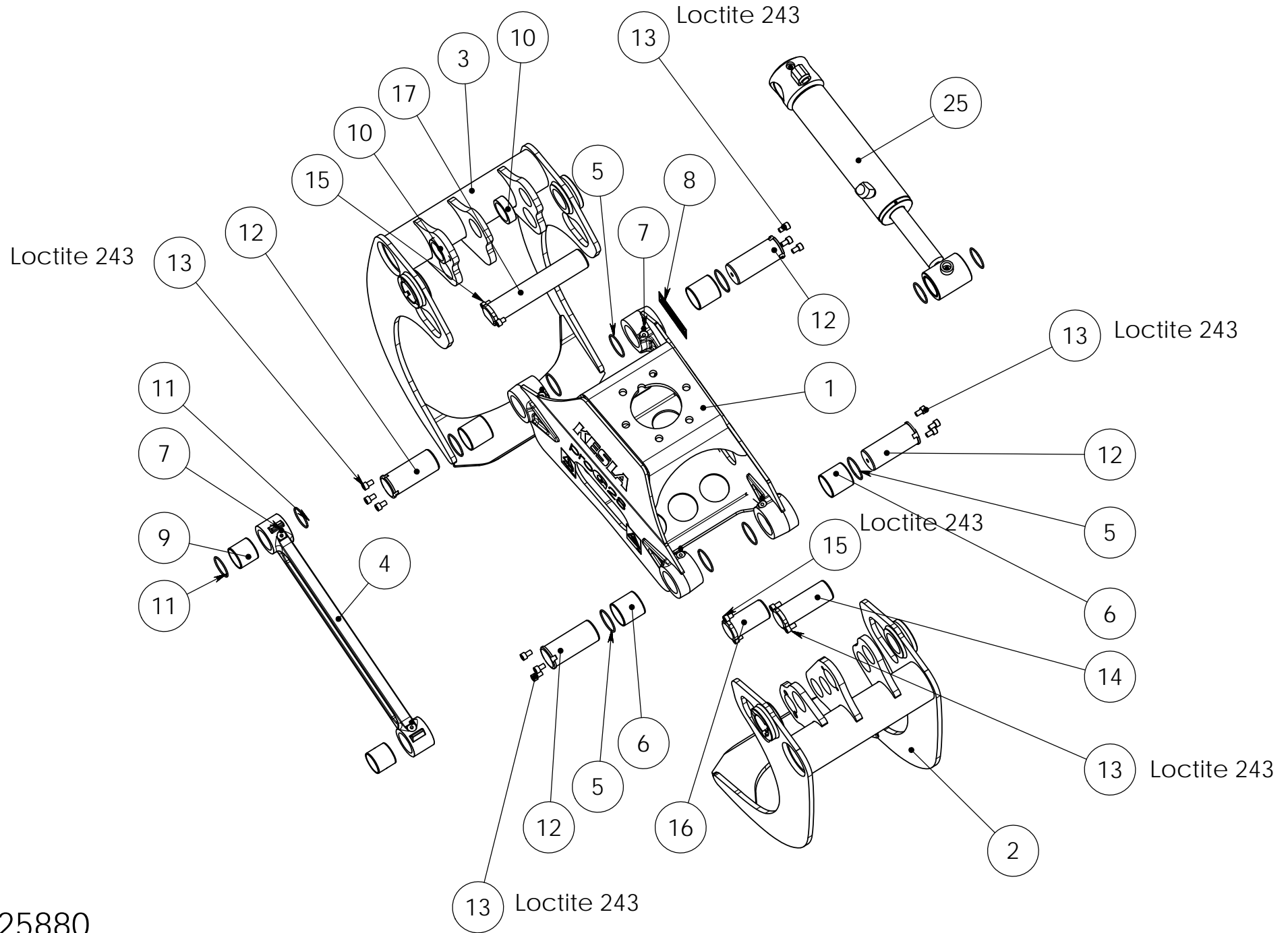




KESLA

GRAPPLE proG SPARE PARTS

| <i>Table of contents</i> | <i>Page</i> |
|--------------------------|-------------|
| <i>KESLA proG28</i> | <i>2</i> |
| <i>KESLA proG30</i> | <i>6</i> |
| <i>KESLA proG35</i> | <i>10</i> |
| <i>KESLA proG40</i> | <i>14</i> |
| <i>KESLA proG46</i> | <i>18</i> |
| <i>KESLA proG50</i> | <i>22</i> |
| <i>KESLA proG50L</i> | <i>26</i> |



90025880

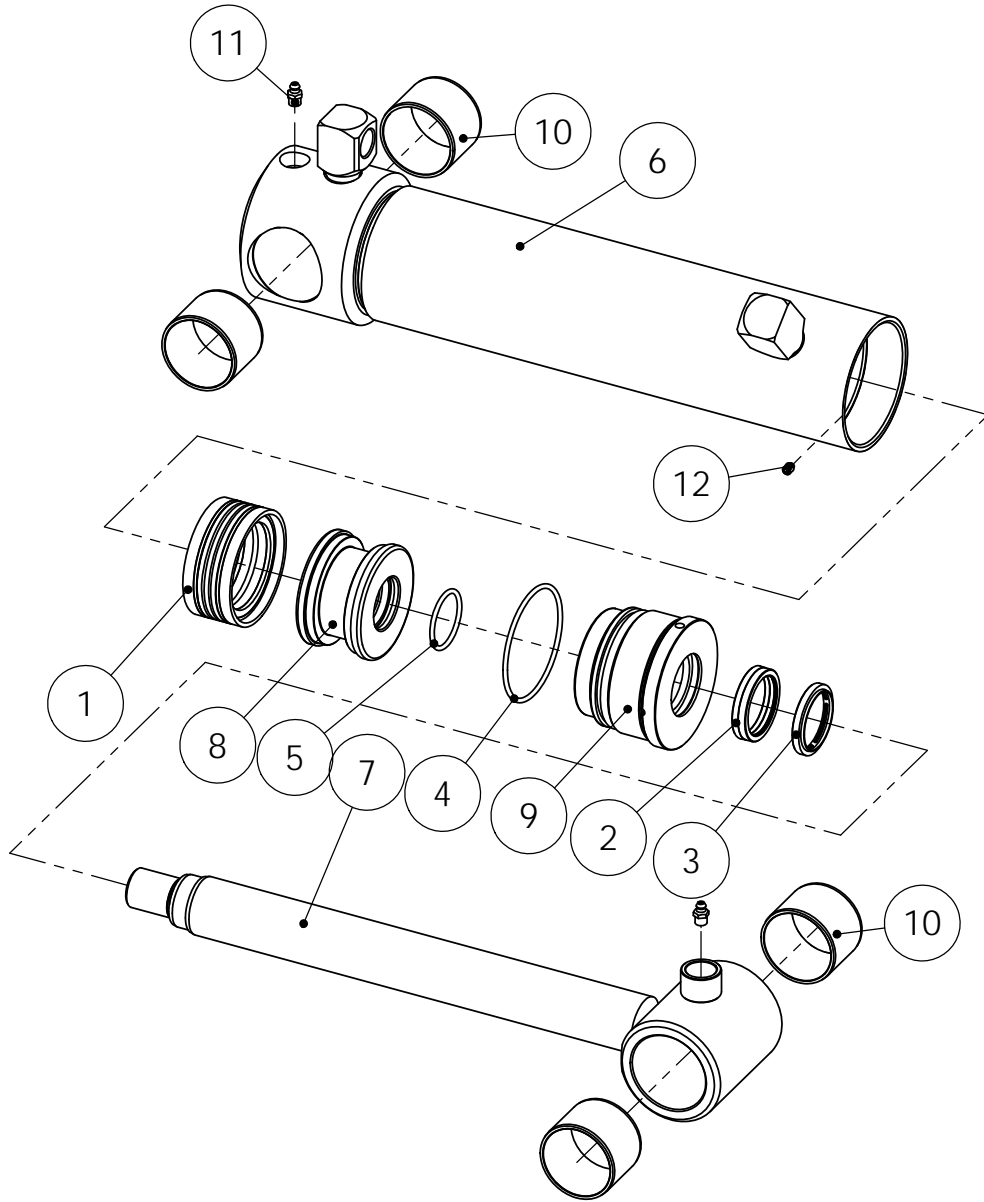


SPARE PART LIST

| | | | |
|---------------|----------|----------|------------|
| Item code | 90025880 | Revision | B |
| Title | GRAPPLE | Date | 15.11.2012 |
| Specification | PRO G28 | | |

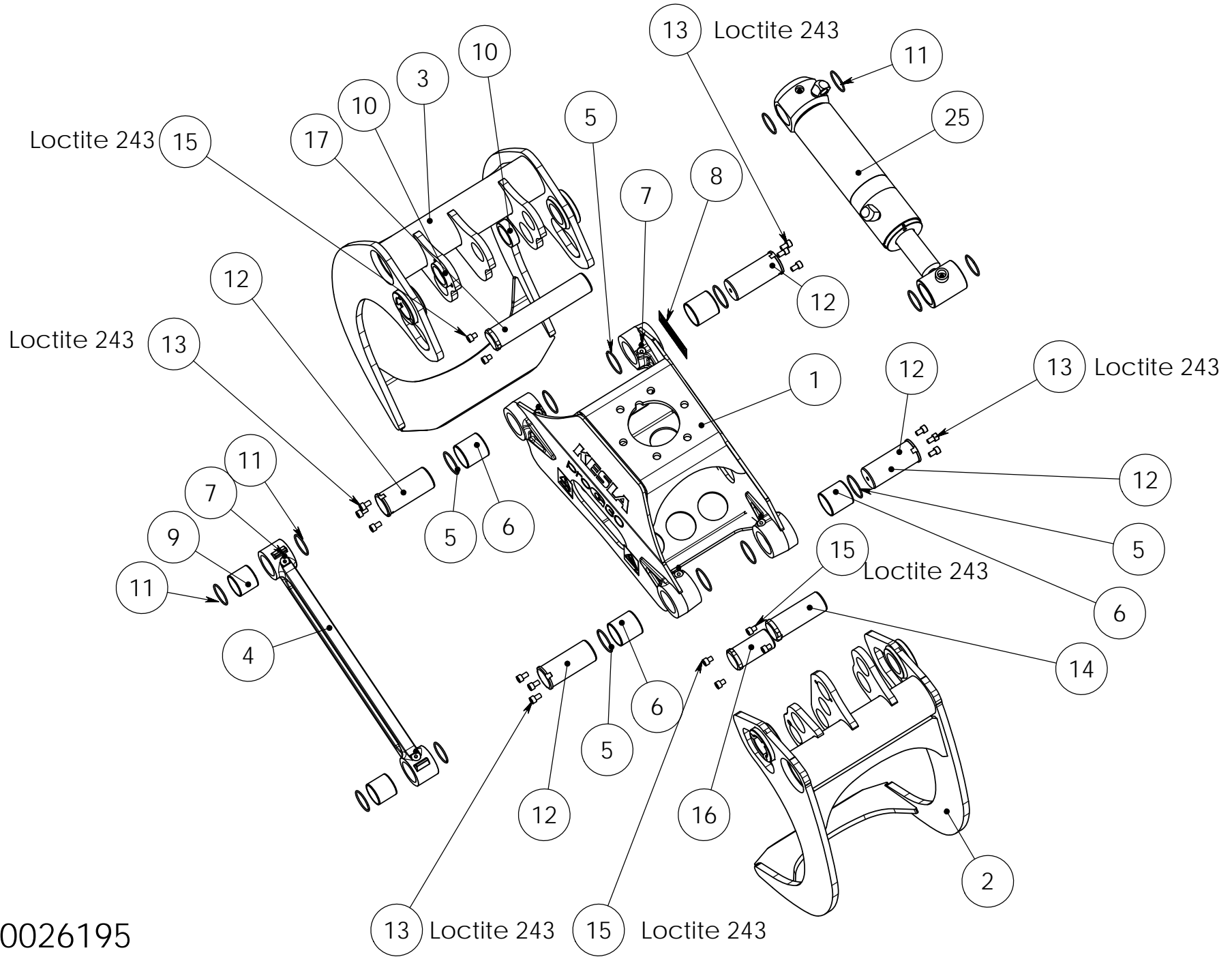
| Pos | Item code | Title | Specification | Pc | Nto Weight |
|-----|-----------|----------------|------------------------|----|------------|
| 1 | 90025925 | FRAME | 28 30 35 | 1 | 40.94 |
| 2 | 90025881 | JAW | 28 INNER | 1 | 40.06 |
| 3 | 90025883 | JAW | 28 OUTER | 1 | 41.07 |
| 4 | 90024629 | STABILIZER | L=589 | 1 | 6.03 |
| 5 | 3110029 | O-RING | 54.5X3 90 SHORE | 8 | 0.01 |
| 6 | 3100386 | BUSHING | WB 802 5560 | 4 | 0.21 |
| 7 | 3050003 | GREASE NIPPLE | M8X1,25 DIN 71412 | 7 | 0 |
| 8 | 3280431 | PLATE | 125X45X1 | 1 | 0 |
| 9 | 3100257 | BUSHING | WB 802 5050 | 2 | 0.16 |
| 10 | 90024573 | SLEEVE | 65/50-20 | 2 | 0.03 |
| 11 | 3110524 | O-RING | 49.5X3 90 SHORE | 6 | 0.01 |
| 12 | 90025860 | AXLE | 60/55-132 | 4 | 2.75 |
| 13 | 3011020 | ALLEN SCREW | M10X16 12.9 DC DIN 912 | 14 | 0 |
| 14 | 90025873 | AXLE | 55/50-142 | 1 | 2.19 |
| 15 | 3011152 | ALLEN SCREW | M10X12 10.9 ST DIN 912 | 4 | 0.02 |
| 16 | 90025875 | AXLE | 55/50-105 | 1 | 1.62 |
| 17 | 90025876 | AXLE | 55/50-271 | 1 | 4.17 |
| 18 | 3281593 | DECAL | KESLA | 2 | 0.01 |
| 19 | 3281598 | DECAL | PRO G28 | 2 | 0 |
| 20 | 3281644 | DECAL | DANGER OF CRUSHING | 1 | 0.01 |
| 21 | 3281643 | DECAL | STUDY MANUAL | 1 | 0.01 |
| 22 | 3090024 | QUICK COUPLING | R 1/2" C 23072-08 | 2 | 0.11 |
| 23 | 3090289 | CONNECTOR | 6010-08-10 | 4 | 0.11 |
| 24 | 3133215 | HYDRAULIC HOSE | 461LT683W101008-650 | 2 | 2.38 |
| 25 | 3302533 | CYLINDER | 80/40X259 | 1 | 18.41 |

3302533



| | | | |
|---------------|-----------|----------|------------|
| Item code | 3302533 | Revision | - |
| Title | CYLINDER | Date | 01.06.2016 |
| Specification | 80/40X259 | | |

| Pos | Item code | Title | Specification | Pc | Nto Weight |
|-----|-----------|-----------------|----------------------------|----|------------|
| 1 | 3111191 | PISTON SEAL | K18 080-060 | 1 | 0.45 |
| 2 | 3111193 | ROD SEAL | TTI 1615/1 40X50X10/11/L | 1 | 0.04 |
| 3 | 3111177 | WIPER SEAL | GHK 316 | 1 | 0.02 |
| 4 | 3111192 | O-RING | 75X3 NBR90 | 1 | 0.01 |
| 5 | 3110254 | O-RING | 36.2X3 NBR90 | 1 | 0.01 |
| 6 | 3302634 | CYLINDER BARREL | 80/40X259 | 1 | 8.69 |
| 7 | 3302635 | PISTON ROD | 80/40X259 | 1 | 5.06 |
| 8 | 3302636 | PISTON | 80 | 1 | 1.15 |
| 9 | 3111195 | GUIDANCE | 80/40 | 1 | 1.93 |
| 10 | 3100224 | BUSHING | WB 802 5040 | 4 | 0.13 |
| 11 | 3050022 | GREASE NIPPLE | M8X1 | 2 | 0 |
| 12 | 3011032 | ALLEN SCREW | M6X8 EN ISO 4028 / DIN 915 | 1 | 0 |
| 1-5 | 3111194 | SEAL KIT | 80/40 408-101-005092 | 1 | 0.53 |



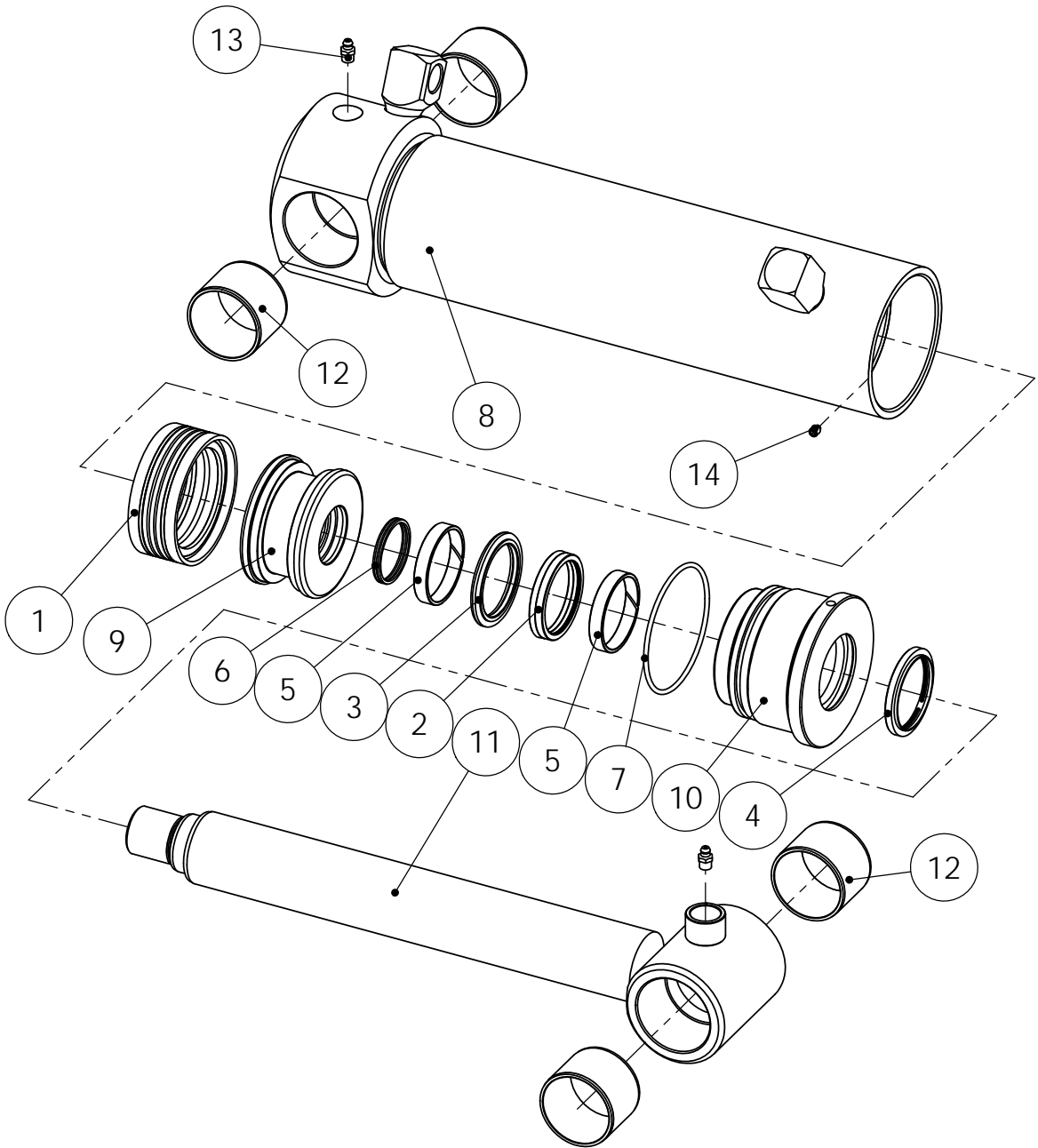
90026195



SPARE PART LIST

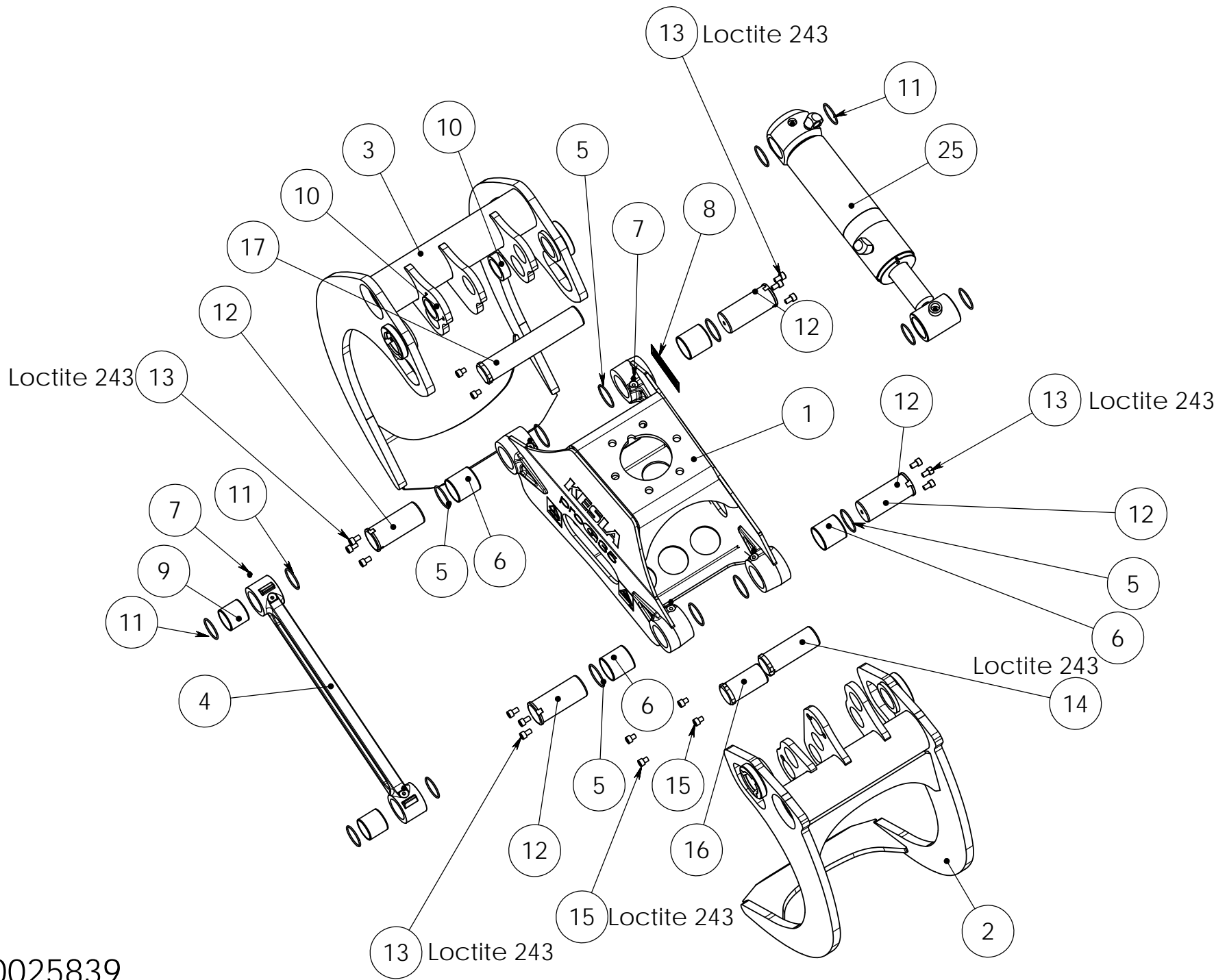
| | | | |
|---------------|----------|----------|------------|
| Item code | 90026195 | Revision | B |
| Title | GRAPPLE | Date | 26.02.2013 |
| Specification | PRO G30 | | |

| Pos | Item code | Title | Specification | Pc | Nto Weight |
|-----|-----------|----------------|------------------------|----|------------|
| 1 | 90025925 | FRAME | 28 30 35 | 1 | 40.94 |
| 2 | 90026196 | JAW | PRO G30 INNER | 1 | 50.08 |
| 3 | 90026197 | JAW | PRO G30 OUTER | 1 | 51.84 |
| 4 | 90024629 | STABILIZER | L=589 | 1 | 6.03 |
| 5 | 3110029 | O-RING | 54.5X3 90 SHORE | 8 | 0.01 |
| 6 | 3100386 | BUSHING | WB 802 5560 | 4 | 0.21 |
| 7 | 3050003 | GREASE NIPPLE | M8X1,25 DIN 71412 | 9 | 0 |
| 8 | 3280431 | PLATE | 125X45X1 | 1 | 0 |
| 9 | 3100257 | BUSHING | WB 802 5050 | 2 | 0.16 |
| 10 | 90024573 | SLEEVE | 65/50-20 | 2 | 0.03 |
| 11 | 3110524 | O-RING | 49.5X3 90 SHORE | 8 | 0.01 |
| 12 | 90025860 | AXLE | 60/55-132 | 4 | 2.75 |
| 13 | 3011020 | ALLEN SCREW | M10X16 12.9 DC DIN 912 | 12 | 0 |
| 14 | 90025873 | AXLE | 55/50-142 | 1 | 2.19 |
| 15 | 3011152 | ALLEN SCREW | M10X12 10.9 ST DIN 912 | 6 | 0.02 |
| 16 | 90025875 | AXLE | 55/50-105 | 1 | 1.62 |
| 17 | 90025876 | AXLE | 55/50-271 | 1 | 4.17 |
| 18 | 3281593 | DECAL | KESLA | 2 | 0.01 |
| 19 | 3281599 | DECAL | PRO G30 | 2 | 0 |
| 20 | 3281644 | DECAL | DANGER OF CRUSHING | 1 | 0.01 |
| 21 | 3281643 | DECAL | STUDY MANUAL | 1 | 0.01 |
| 22 | 3090024 | QUICK COUPLING | R 1/2" C 23072-08 | 2 | 0.11 |
| 23 | 3090289 | CONNECTOR | 6010-08-10 | 4 | 0.11 |
| 24 | 3133215 | HYDRAULIC HOSE | 461LT683W101008-650 | 2 | 2.38 |
| 25 | 3302646 | CYLINDER | 90/50X259 | 1 | 24.44 |



| | | | |
|---------------|-----------|----------|------------|
| Item code | 3302646 | Revision | - |
| Title | CYLINDER | Date | 20.09.2016 |
| Specification | 90/50X259 | | |

| Pos | Item code | Title | Specification | Pc | Nto Weight |
|-----|-----------|-----------------|----------------------------|----|------------|
| 1 | 3111180 | PISTON SEAL | K18 090-070 | 1 | 0.52 |
| 2 | 3111186 | ROD SEAL | K33-050 PU | 1 | 0.05 |
| 3 | 3111290 | ROD SEAL | SE-50X65,1X6,3 | 1 | 0.06 |
| 4 | 3111187 | WIPER SEAL | K06-50 PU | 1 | 0.03 |
| 5 | 3111439 | GUIDANCE | K68-050/5 | 2 | 0.03 |
| 6 | 3111181 | SEAL | DU0000450-Z20 | 1 | 0.01 |
| 7 | 3110408 | O-RING | 85X3 90 SHORE--> 3110017 | 1 | 0.02 |
| 8 | 3302992 | CYLINDER BARREL | 90/50X259 | 1 | 11.96 |
| 9 | 3302629 | PISTON | 90 | 1 | 1.49 |
| 10 | 3302994 | GUIDANCE | 90/50 | 1 | 2.45 |
| 11 | 3302993 | PISTON ROD | 90/50X259 | 1 | 7.13 |
| 12 | 3100224 | BUSHING | WB 802 5040 | 4 | 0.13 |
| 13 | 3050022 | GREASE NIPPLE | M8X1 | 2 | 0 |
| 14 | 3011032 | ALLEN SCREW | M6X8 EN ISO 4028 / DIN 915 | 1 | 0 |
| 1-7 | 3111440 | SEAL KIT | 90/50 | 1 | 0.14 |



90025839



SPARE PART LIST

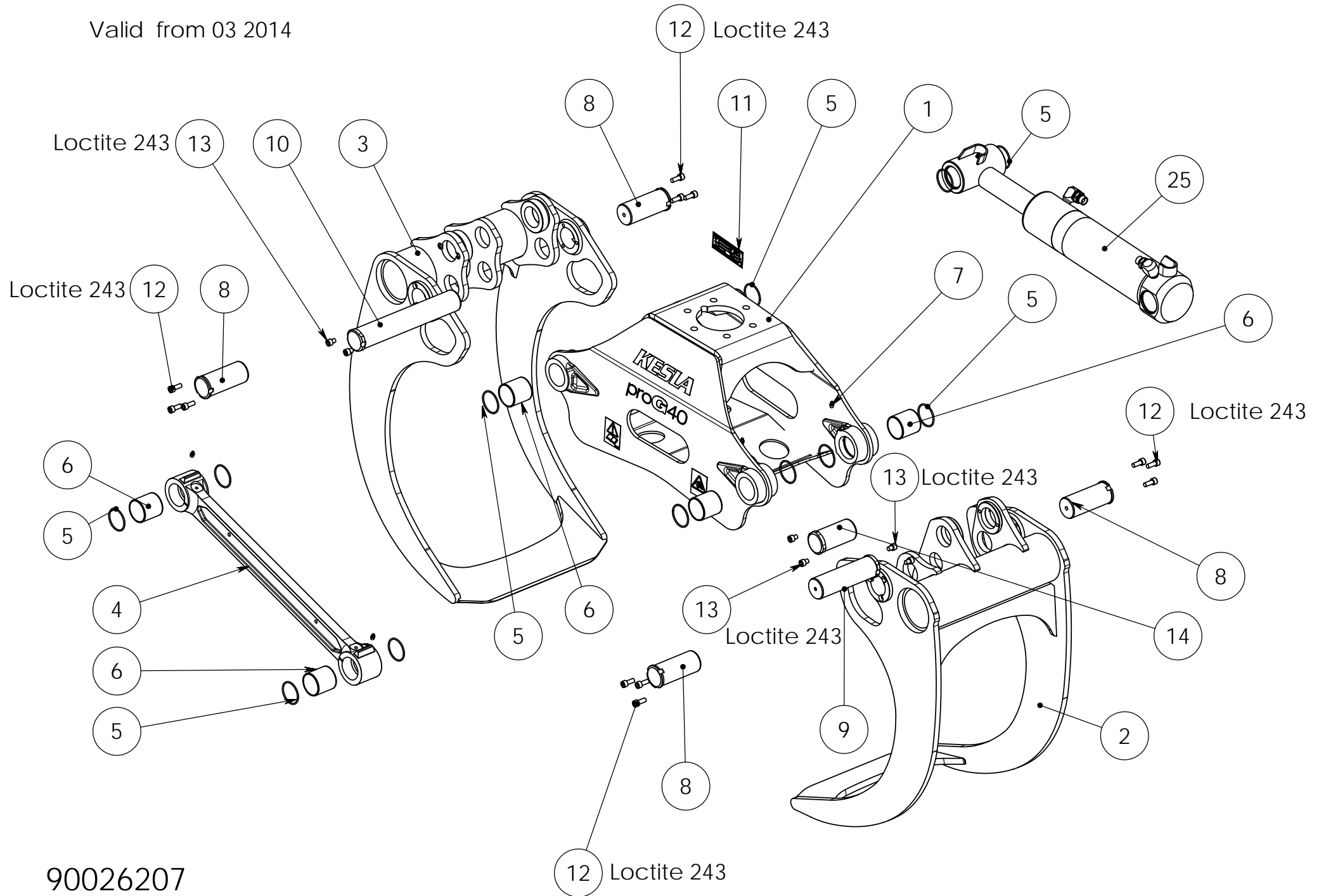
| | | | |
|---------------|----------|----------|------------|
| Item code | 90025839 | Revision | C |
| Title | GRAPPLE | Date | 02.11.2012 |
| Specification | PRO G35 | | |

| Pos | Item code | Title | Specification | Pc | Nto Weight |
|-----|-----------|----------------|------------------------|----|------------|
| 1 | 90025925 | FRAME | 28 30 35 | 1 | 40.94 |
| 2 | 90029681 | JAW | 35 INNER | 1 | 59.55 |
| 3 | 90029682 | JAW | PROG35 OUTER | 1 | 61.6 |
| 4 | 90024629 | STABILIZER | L=589 | 1 | 6.03 |
| 5 | 3110029 | O-RING | 54.5X3 90 SHORE | 8 | 0.01 |
| 6 | 3100386 | BUSHING | WB 802 5560 | 4 | 0.21 |
| 7 | 3050003 | GREASE NIPPLE | M8X1,25 DIN 71412 | 9 | 0 |
| 8 | 3280431 | PLATE | 125X45X1 | 1 | 0 |
| 9 | 3100257 | BUSHING | WB 802 5050 | 2 | 0.16 |
| 10 | 90024573 | SLEEVE | 65/50-20 | 2 | 0.03 |
| 11 | 3110524 | O-RING | 49.5X3 90 SHORE | 8 | 0.01 |
| 12 | 90025860 | AXLE | 60/55-132 | 4 | 2.75 |
| 13 | 3011020 | ALLEN SCREW | M10X16 12.9 DC DIN 912 | 12 | 0 |
| 14 | 90025873 | AXLE | 55/50-142 | 1 | 2.19 |
| 15 | 3011152 | ALLEN SCREW | M10X12 10.9 ST DIN 912 | 6 | 0.02 |
| 16 | 90025875 | AXLE | 55/50-105 | 1 | 1.62 |
| 17 | 90025876 | AXLE | 55/50-271 | 1 | 4.17 |
| 18 | 3281593 | DECAL | KESLA | 2 | 0.01 |
| 19 | 3281601 | DECAL | PRO G35 | 2 | 0 |
| 20 | 3281643 | DECAL | STUDY MANUAL | 1 | 0.01 |
| 21 | 3281644 | DECAL | DANGER OF CRUSHING | 1 | 0.01 |
| 22 | 3090024 | QUICK COUPLING | R 1/2" C 23072-08 | 2 | 0.11 |
| 23 | 3090289 | CONNECTOR | 6010-08-10 | 4 | 0.11 |
| 24 | 3133215 | HYDRAULIC HOSE | 461LT683W101008-650 | 2 | 2.38 |
| 25 | 3302646 | CYLINDER | 90/50X259 | 1 | 24.44 |

| | | | |
|---------------|-----------|----------|------------|
| Item code | 3302646 | Revision | - |
| Title | CYLINDER | Date | 20.09.2016 |
| Specification | 90/50X259 | | |

| Pos | Item code | Title | Specification | Pc | Nto Weight |
|-----|-----------|-----------------|----------------------------|----|------------|
| 1 | 3111180 | PISTON SEAL | K18 090-070 | 1 | 0.52 |
| 2 | 3111186 | ROD SEAL | K33-050 PU | 1 | 0.05 |
| 3 | 3111290 | ROD SEAL | SE-50X65,1X6,3 | 1 | 0.06 |
| 4 | 3111187 | WIPER SEAL | K06-50 PU | 1 | 0.03 |
| 5 | 3111439 | GUIDANCE | K68-050/5 | 2 | 0.03 |
| 6 | 3111181 | SEAL | DU0000450-Z20 | 1 | 0.01 |
| 7 | 3110408 | O-RING | 85X3 90 SHORE--> 3110017 | 1 | 0.02 |
| 8 | 3302992 | CYLINDER BARREL | 90/50X259 | 1 | 11.96 |
| 9 | 3302629 | PISTON | 90 | 1 | 1.49 |
| 10 | 3302994 | GUIDANCE | 90/50 | 1 | 2.45 |
| 11 | 3302993 | PISTON ROD | 90/50X259 | 1 | 7.13 |
| 12 | 3100224 | BUSHING | WB 802 5040 | 4 | 0.13 |
| 13 | 3050022 | GREASE NIPPLE | M8X1 | 2 | 0 |
| 14 | 3011032 | ALLEN SCREW | M6X8 EN ISO 4028 / DIN 915 | 1 | 0 |
| 1-7 | 3111440 | SEAL KIT | 90/50 | 1 | 0.14 |

Valid from 03 2014

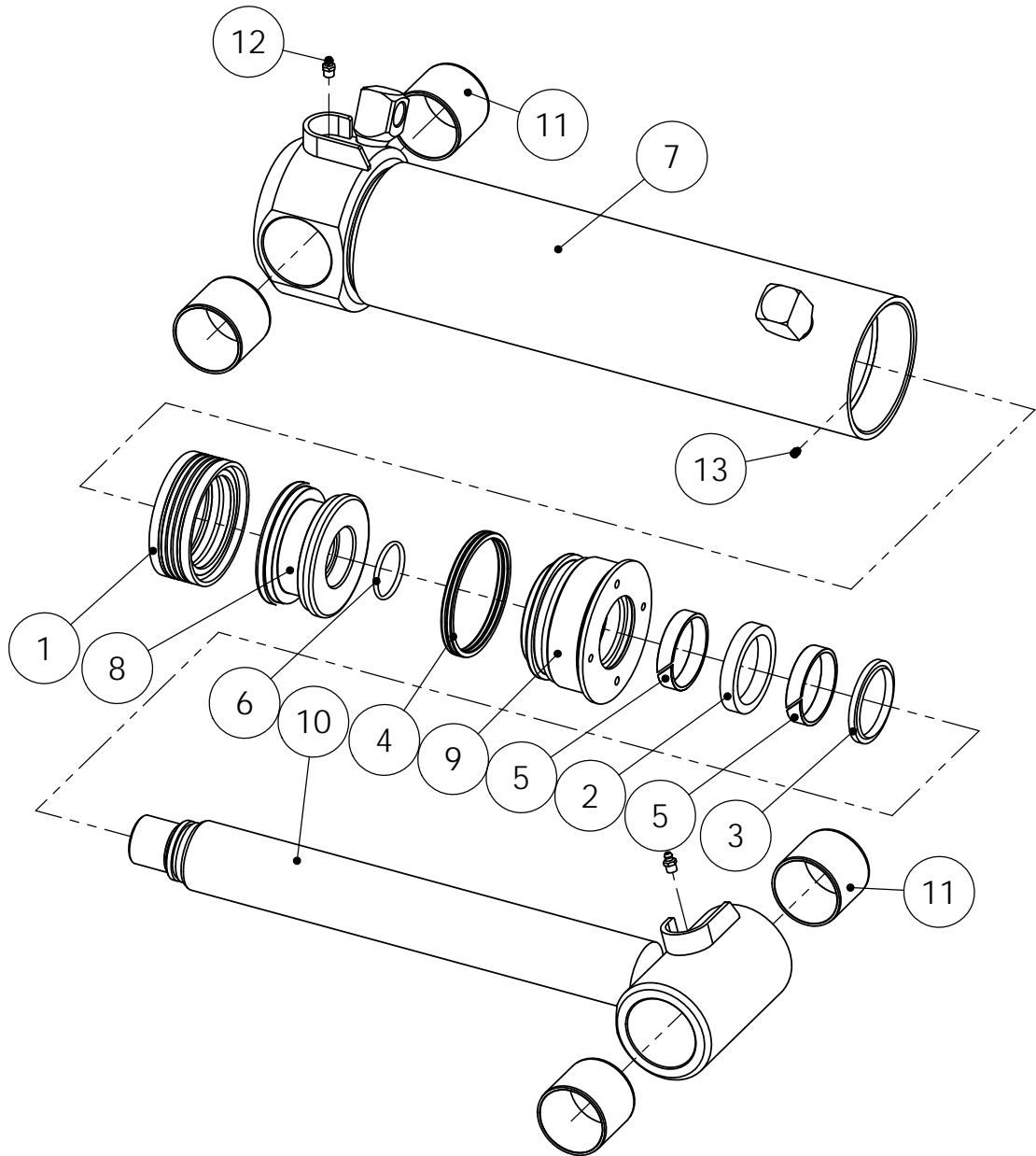


90026207

SPARE PART LIST

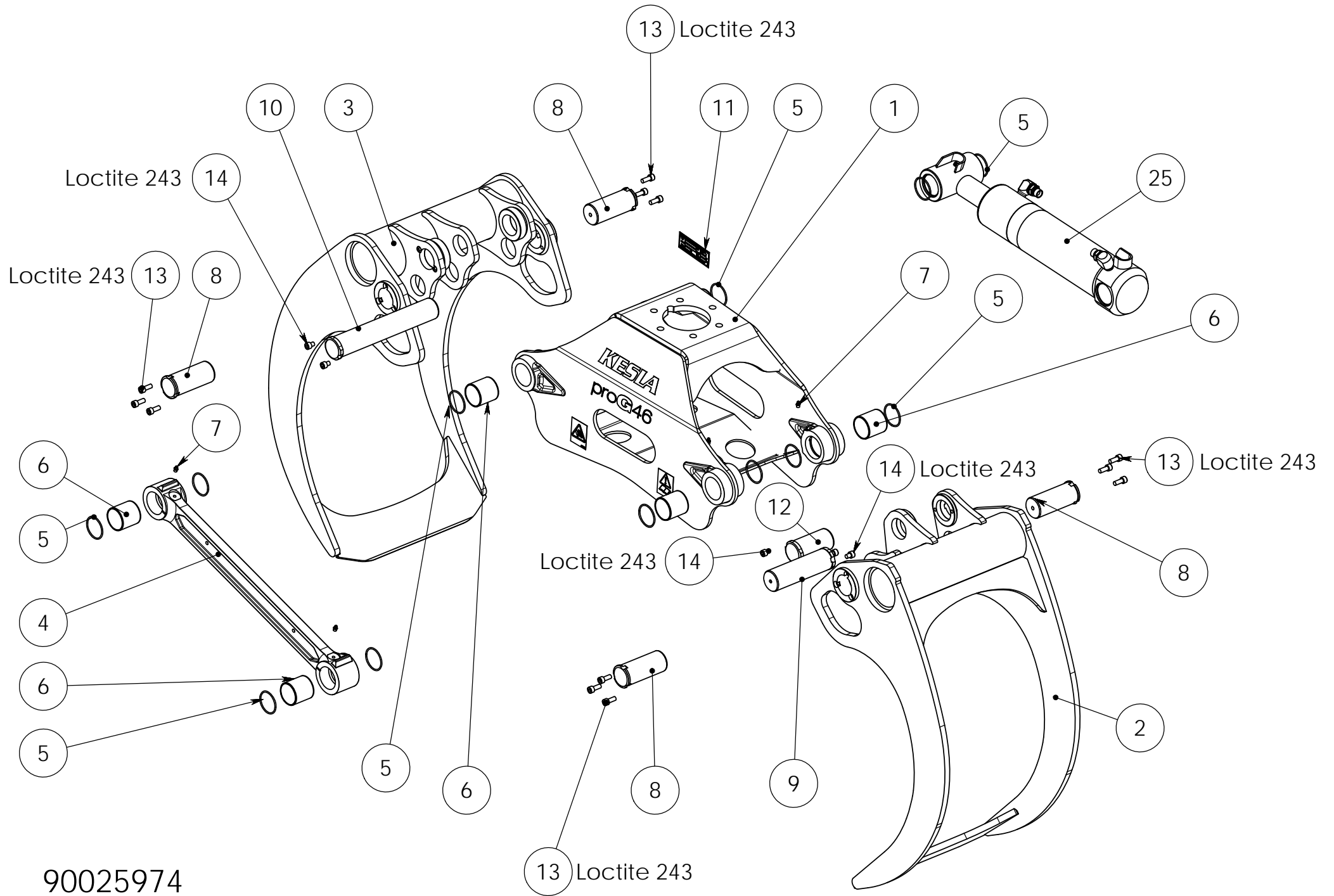
| | | | |
|---------------|----------|----------|------------|
| Item code | 90026207 | Revision | C |
| Title | GRAPPLE | Date | 26.02.2013 |
| Specification | PRO G40 | | |

| Pos | Item code | Title | Specification | Pc | Nto Weight |
|-----|-----------|----------------|------------------------|----|------------|
| 1 | 90024492 | FRAME | 40 46 50 | 1 | 58.65 |
| 2 | 90026209 | JAW | PRO G40 INNER | 1 | 68.51 |
| 3 | 90026210 | JAW | PRO G40 OUTER | 1 | 71.82 |
| 4 | 90024600 | STABILIZER | L=698.5 | 1 | 8.45 |
| 5 | 3110029 | O-RING | 54.5X3 90 SHORE | 14 | 0.01 |
| 6 | 3100386 | BUSHING | WB 802 5560 | 6 | 0.21 |
| 7 | 3050003 | GREASE NIPPLE | M8X1,25 DIN 71412 | 6 | 0 |
| 8 | 90025860 | AXLE | 60/55-132 | 4 | 2.75 |
| 9 | 90025911 | AXLE | 60/55-192 | 1 | 4 |
| 10 | 90025910 | AXLE | 60/55-332 | 1 | 6.91 |
| 11 | 3280431 | PLATE | 125X45X1 | 1 | 0 |
| 12 | 3011019 | ALLEN SCREW | M10X25 12.9 DC DIN 912 | 12 | 0 |
| 13 | 3011152 | ALLEN SCREW | M10X12 10.9 ST DIN 912 | 6 | 0.02 |
| 14 | 90025912 | AXLE | 60/55-116 | 1 | 2.42 |
| 15 | 3281593 | DECAL | KESLA | 2 | 0.01 |
| 16 | 3281602 | DECAL | PRO G40 | 2 | 0 |
| 17 | 3281643 | DECAL | STUDY MANUAL | 1 | 0.01 |
| 18 | 3281644 | DECAL | DANGER OF CRUSHING | 1 | 0.01 |
| 22 | 3090024 | QUICK COUPLING | R 1/2" C 23072-08 | 2 | 0.11 |
| 23 | 3090289 | CONNECTOR | 6010-08-10 | 4 | 0.11 |
| 24 | 3133215 | HYDRAULIC HOSE | 461LT683W101008-650 | 2 | 2.38 |
| 25 | 3302528 | CYLINDER | 100/56X330 | 1 | 32.91 |



| | | | |
|---------------|------------|----------|------------|
| Item code | 3302528 | Revision | - |
| Title | CYLINDER | Date | 01.06.2016 |
| Specification | 100/56X330 | | |

| Pos | Item code | Title | Specification | Pc | Nto Weight |
|-----|-----------|-----------------|----------------------------|----|------------|
| 1 | 3111266 | PISTON SEAL | K18 100-075 | 1 | 0.7 |
| 2 | 3111267 | ROD SEAL | K38-056/1 PU | 1 | 0.12 |
| 3 | 3111268 | WIPER SEAL | K06-056 PU | 1 | 0.04 |
| 4 | 3111269 | SEAL | DU0101000-Z20 | 1 | 0.09 |
| 5 | 3111270 | GUIDANCE | K68-056 | 2 | 0.05 |
| 6 | 3111271 | O-RING | 42X3 NBR90 | 1 | 0.01 |
| 7 | 3302630 | CYLINDER BARREL | 100/56X330 | 1 | 14.47 |
| 8 | 3302632 | PISTON | 100 | 1 | 1.82 |
| 9 | 3302633 | GUIDANCE | 100/56 | 1 | 2.36 |
| 10 | 3302631 | PISTON ROD | 100/56X330 | 1 | 11.42 |
| 11 | 3100387 | BUSHING | WB 802 5550 | 4 | 0.18 |
| 12 | 3050022 | GREASE NIPPLE | M8X1 | 2 | 0 |
| 13 | 3011032 | ALLEN SCREW | M6X8 EN ISO 4028 / DIN 915 | 1 | 0 |
| 1-6 | 3111272 | SEAL KIT | 100/56 | 1 | 1.06 |



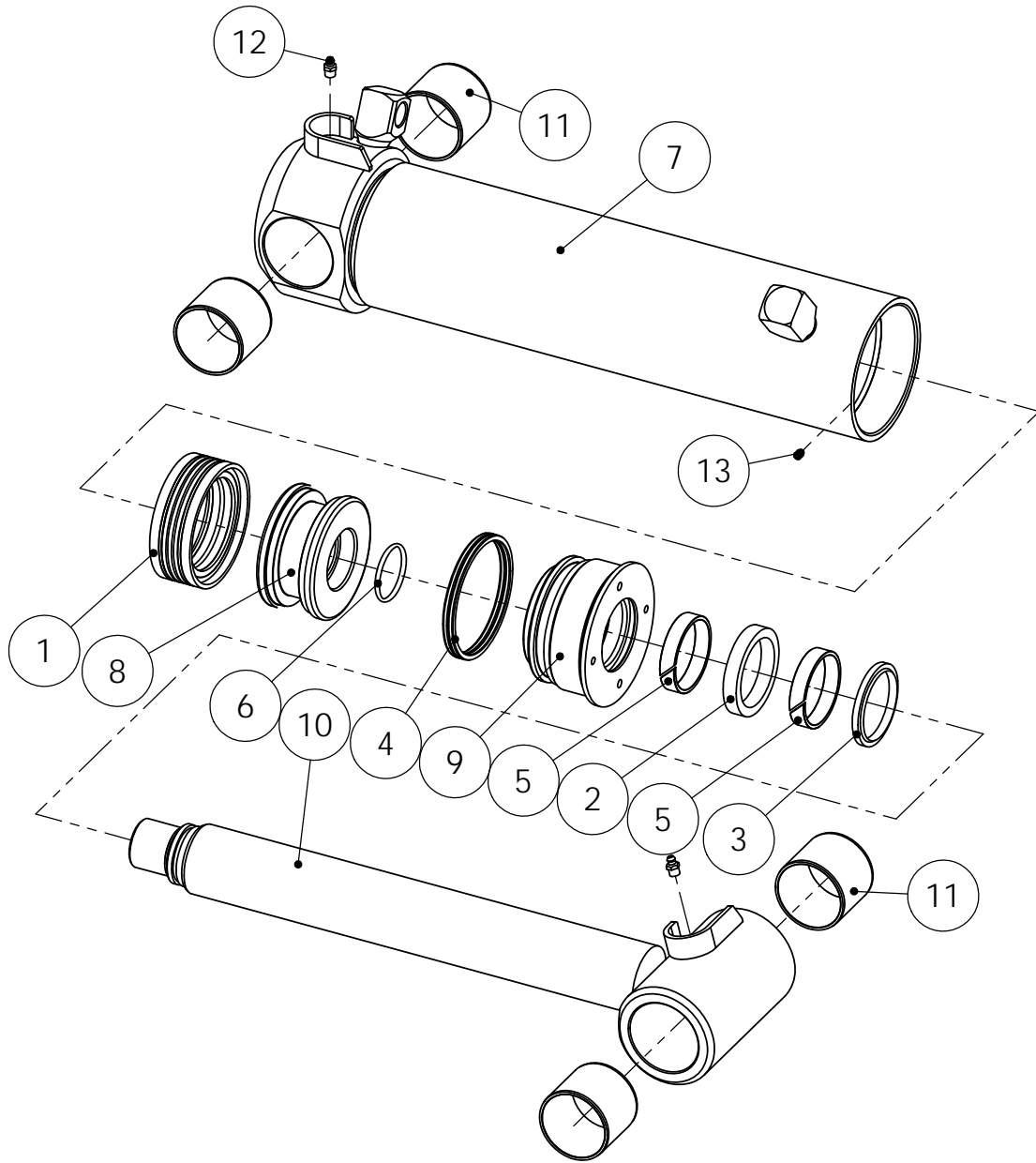
90025974

SPARE PART LIST

| | | | |
|---------------|----------|----------|------------|
| Item code | 90025974 | Revision | B |
| Title | GRAPPLE | Date | 28.12.2012 |
| Specification | PRO G46 | | |

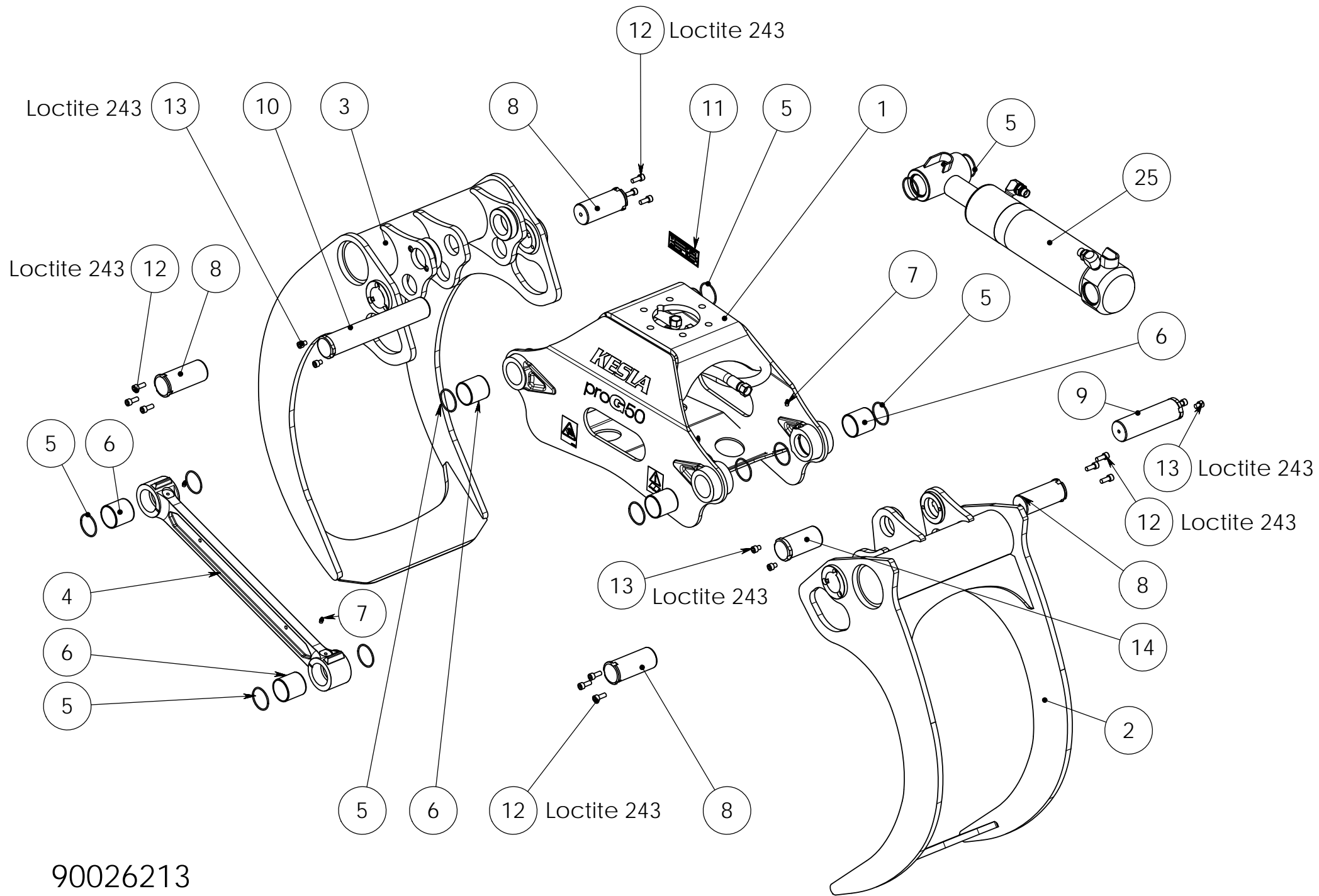
| Pos | Item code | Title | Specification | Pc | Nto Weight |
|-----|-----------|----------------|------------------------|----|------------|
| 1 | 90024492 | FRAME | 40 46 50 | 1 | 58.65 |
| 2 | 90025975 | JAW | PRO G46 INNER | 1 | 68.08 |
| 3 | 90025976 | JAW | PRO G46 OUTER | 1 | 72.04 |
| 4 | 90024600 | STABILIZER | L=698.5 | 1 | 8.45 |
| 5 | 3110029 | O-RING | 54.5X3 90 SHORE | 14 | 0.01 |
| 6 | 3100386 | BUSHING | WB 802 5560 | 6 | 0.21 |
| 7 | 3050003 | GREASE NIPPLE | M8X1,25 DIN 71412 | 6 | 0 |
| 8 | 90025860 | AXLE | 60/55-132 | 4 | 2.75 |
| 9 | 90025911 | AXLE | 60/55-192 | 1 | 4 |
| 10 | 90025910 | AXLE | 60/55-332 | 1 | 6.91 |
| 11 | 3280431 | PLATE | 125X45X1 | 1 | 0 |
| 12 | 90025912 | AXLE | 60/55-116 | 1 | 2.42 |
| 13 | 3011019 | ALLEN SCREW | M10X25 12.9 DC DIN 912 | 12 | 0 |
| 14 | 3011152 | ALLEN SCREW | M10X12 10.9 ST DIN 912 | 6 | 0.02 |
| 15 | 3281593 | DECAL | KESLA | 2 | 0.01 |
| 16 | 3281605 | DECAL | PRO G46 | 2 | 0 |
| 17 | 3281643 | DECAL | STUDY MANUAL | 1 | 0.01 |
| 18 | 3281644 | DECAL | DANGER OF CRUSHING | 1 | 0.01 |
| 22 | 3090024 | QUICK COUPLING | R 1/2" C 23072-08 | 2 | 0.11 |
| 23 | 3090289 | CONNECTOR | 6010-08-10 | 4 | 0.11 |
| 24 | 3133215 | HYDRAULIC HOSE | 461LT683W101008-650 | 2 | 2.38 |
| 25 | 3302528 | CYLINDER | 100/56X330 | 1 | 32.91 |

3302528



| | | | |
|---------------|------------|----------|------------|
| Item code | 3302528 | Revision | - |
| Title | CYLINDER | Date | 01.06.2016 |
| Specification | 100/56X330 | | |

| Pos | Item code | Title | Specification | Pc | Nto Weight |
|-----|-----------|-----------------|----------------------------|----|------------|
| 1 | 3111266 | PISTON SEAL | K18 100-075 | 1 | 0.7 |
| 2 | 3111267 | ROD SEAL | K38-056/1 PU | 1 | 0.12 |
| 3 | 3111268 | WIPER SEAL | K06-056 PU | 1 | 0.04 |
| 4 | 3111269 | SEAL | DU0101000-Z20 | 1 | 0.09 |
| 5 | 3111270 | GUIDANCE | K68-056 | 2 | 0.05 |
| 6 | 3111271 | O-RING | 42X3 NBR90 | 1 | 0.01 |
| 7 | 3302630 | CYLINDER BARREL | 100/56X330 | 1 | 14.47 |
| 8 | 3302632 | PISTON | 100 | 1 | 1.82 |
| 9 | 3302633 | GUIDANCE | 100/56 | 1 | 2.36 |
| 10 | 3302631 | PISTON ROD | 100/56X330 | 1 | 11.42 |
| 11 | 3100387 | BUSHING | WB 802 5550 | 4 | 0.18 |
| 12 | 3050022 | GREASE NIPPLE | M8X1 | 2 | 0 |
| 13 | 3011032 | ALLEN SCREW | M6X8 EN ISO 4028 / DIN 915 | 1 | 0 |
| 1-6 | 3111272 | SEAL KIT | 100/56 | 1 | 1.06 |



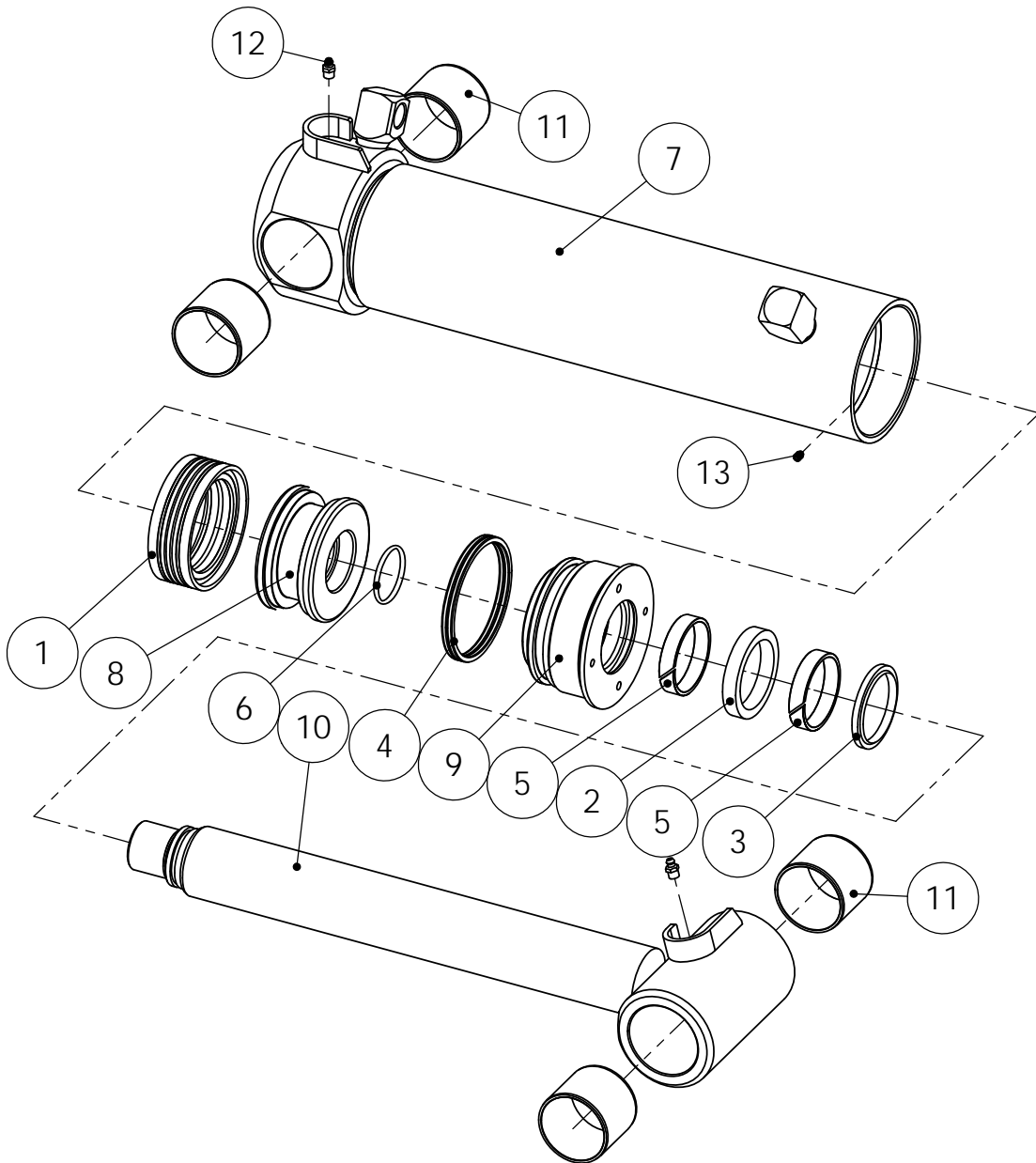
90026213

SPARE PART LIST

| | | | |
|---------------|----------|----------|------------|
| Item code | 90026213 | Revision | B |
| Title | GRAPPLE | Date | 27.02.2013 |
| Specification | PRO G50 | | |

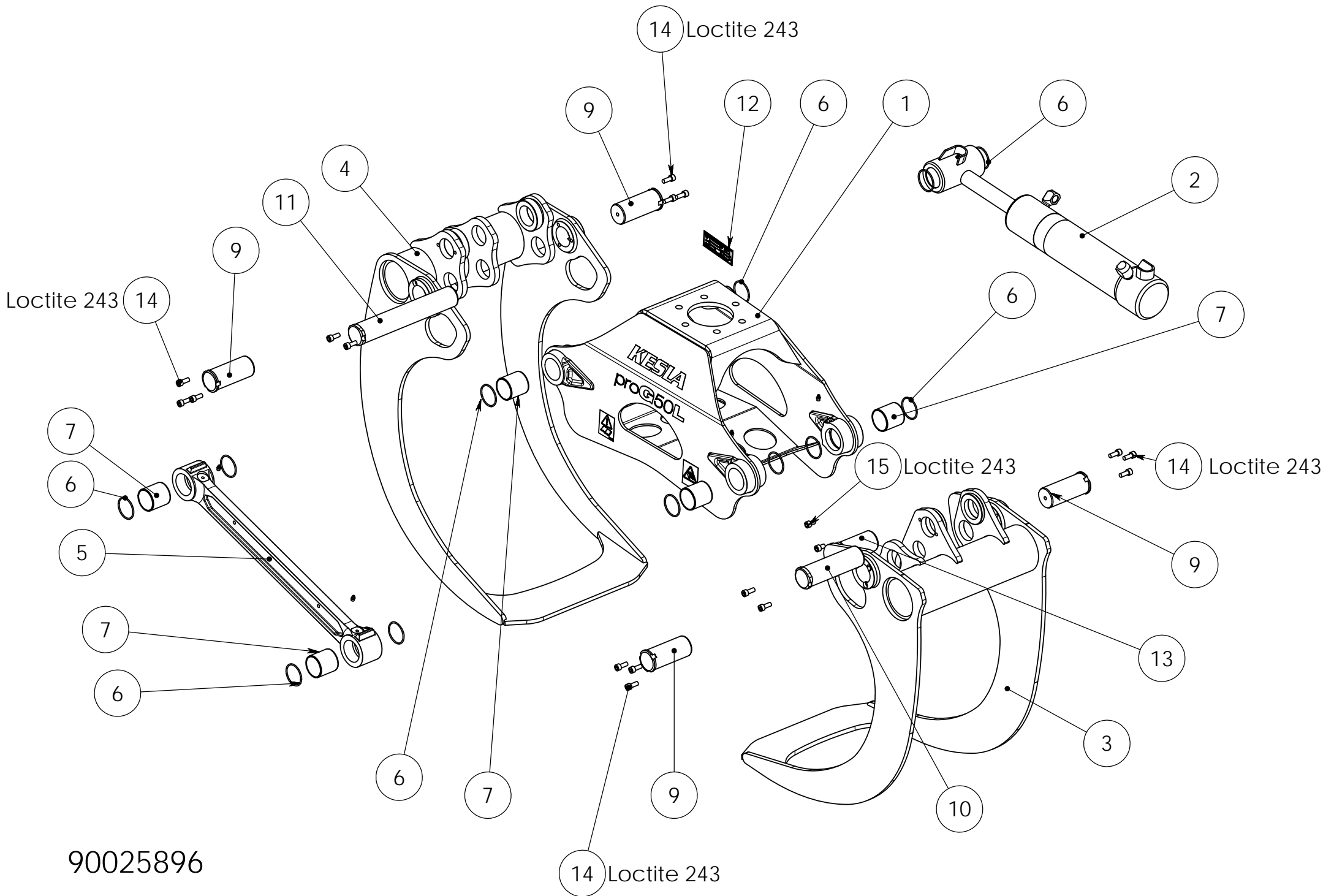
| Pos | Item code | Title | Specification | Pc | Nto Weight |
|-----|-----------|----------------|---|----|------------|
| 1 | 90024492 | FRAME | 40 46 50 | 1 | 58.65 |
| 2 | 90026214 | JAW | PRO G50 INNER | 1 | 73.18 |
| 3 | 90026215 | JAW | PRO G50 OUTER | 1 | 76.2 |
| 4 | 90024600 | STABILIZER | L=698.5 | 1 | 8.45 |
| 5 | 3110029 | O-RING | 54.5X3 90 SHORE | 14 | 0.01 |
| 6 | 3100386 | BUSHING | WB 802 5560 | 6 | 0.21 |
| 7 | 3050003 | GREASE NIPPLE | M8X1,25 DIN 71412 | 6 | 0 |
| 8 | 90025860 | AXLE | 60/55-132 | 4 | 2.75 |
| 9 | 90025911 | AXLE | 60/55-192 | 1 | 4 |
| 10 | 90025910 | AXLE | 60/55-332 | 1 | 6.91 |
| 11 | 3280431 | PLATE | 125X45X1 | 1 | 0 |
| 12 | 3011019 | ALLEN SCREW | M10X25 12.9 DC DIN 912 | 12 | 0 |
| 13 | 3011152 | ALLEN SCREW | M10X12 10.9 ST DIN 912 | 6 | 0.02 |
| 14 | 90025912 | AXLE | 60/55-116 | 1 | 2.42 |
| 15 | 3281593 | DECAL | KESLA | 2 | 0.01 |
| 16 | 3281606 | DECAL | PRO G50 | 2 | 0 |
| 17 | 3281644 | DECAL | DANGER OF CRUSHING | 1 | 0.01 |
| 18 | 3281643 | DECAL | STUDY MANUAL | 1 | 0.01 |
| 19 | 3133215 | HYDRAULIC HOSE | A50005-10-08/261E-08/50054-10-08S/L=650 | 1 | 2.38 |
| 22 | 3090024 | QUICK COUPLING | R 1/2" C 23072-08 | 2 | 0.11 |
| 23 | 3090289 | CONNECTOR | 6010-08-10 | 4 | 0.11 |
| 24 | 3133215 | HYDRAULIC HOSE | 461LT683W101008-650 | 2 | 2.38 |
| 25 | 3302528 | CYLINDER | 100/56X330 | 1 | 32.91 |

3302528



| | | | |
|---------------|------------|----------|------------|
| Item code | 3302528 | Revision | - |
| Title | CYLINDER | Date | 01.06.2016 |
| Specification | 100/56X330 | | |

| Pos | Item code | Title | Specification | Pc | Nto Weight |
|-----|-----------|-----------------|----------------------------|----|------------|
| 1 | 3111266 | PISTON SEAL | K18 100-075 | 1 | 0.7 |
| 2 | 3111267 | ROD SEAL | K38-056/1 PU | 1 | 0.12 |
| 3 | 3111268 | WIPER SEAL | K06-056 PU | 1 | 0.04 |
| 4 | 3111269 | SEAL | DU0101000-Z20 | 1 | 0.09 |
| 5 | 3111270 | GUIDANCE | K68-056 | 2 | 0.05 |
| 6 | 3111271 | O-RING | 42X3 NBR90 | 1 | 0.01 |
| 7 | 3302630 | CYLINDER BARREL | 100/56X330 | 1 | 14.47 |
| 8 | 3302632 | PISTON | 100 | 1 | 1.82 |
| 9 | 3302633 | GUIDANCE | 100/56 | 1 | 2.36 |
| 10 | 3302631 | PISTON ROD | 100/56X330 | 1 | 11.42 |
| 11 | 3100387 | BUSHING | WB 802 5550 | 4 | 0.18 |
| 12 | 3050022 | GREASE NIPPLE | M8X1 | 2 | 0 |
| 13 | 3011032 | ALLEN SCREW | M6X8 EN ISO 4028 / DIN 915 | 1 | 0 |
| 1-6 | 3111272 | SEAL KIT | 100/56 | 1 | 1.06 |



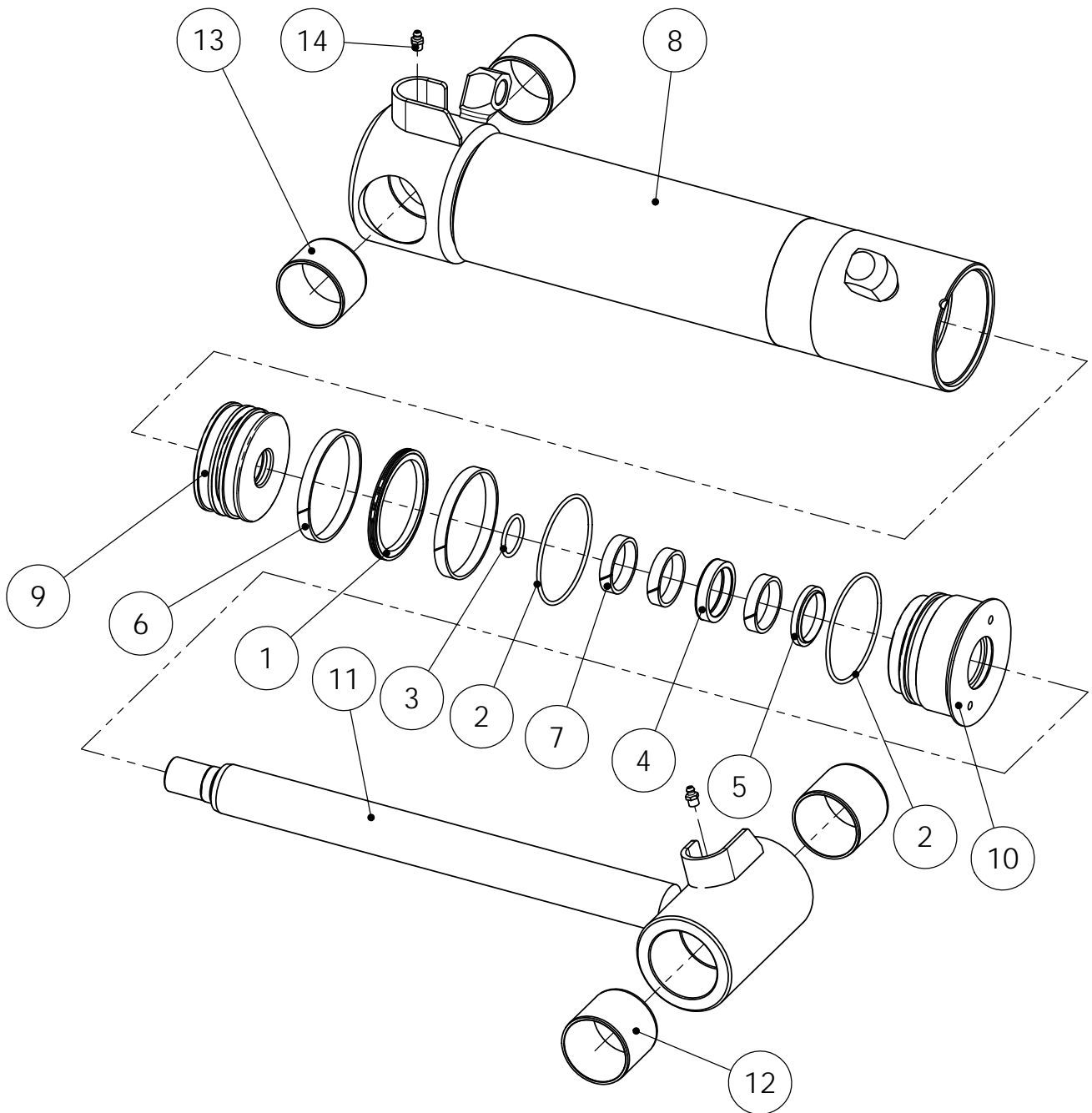
90025896

SPARE PART LIST

| | | | |
|---------------|-----------|----------|------------|
| Item code | 90025896 | Revision | - |
| Title | GRAPPLE | Date | 26.11.2012 |
| Specification | PRO G50 L | | |

| Pos | Item code | Title | Specification | Pc | Nto Weight |
|-----|-----------|----------------|---|----|------------|
| 1 | 90025903 | FRAME | 50L | 1 | 47.52 |
| 2 | 28939001 | CYLINDER | 90/40X330 | 1 | 17.64 |
| 3 | 90025897 | JAW | 50L INNER | 1 | 58.96 |
| 4 | 90025900 | JAW | 50L OUTER | 1 | 61.7 |
| 5 | 90024600 | STABILIZER | L=698.5 | 1 | 8.5 |
| 6 | 3110029 | O-RING | 54.5X3 90 SHORE | 14 | 0.01 |
| 7 | 3100386 | BUSHING | WB 802 5560 | 6 | 0.21 |
| 8 | 3050003 | GREASE NIPPLE | M8X1,25 DIN 71412 | 6 | 0 |
| 9 | 90025860 | AXLE | 60/55-132 | 4 | 2.75 |
| 10 | 90025911 | AXLE | 60/55-192 | 1 | 4 |
| 11 | 90025910 | AXLE | 60/55-332 | 1 | 6.91 |
| 12 | 3280431 | PLATE | 125X45X1 STICKER | 1 | 0 |
| 13 | 90025912 | AXLE | 60/55-116 | 1 | 2.42 |
| 14 | 3011019 | ALLEN SCREW | M10X25 12.9 DC DIN 912 | 16 | 0 |
| 15 | 3011020 | ALLEN SCREW | M10X16 12.9 DC DIN 912 | 2 | 0 |
| 16 | 3281593 | DECAL | KESLA | 2 | 0.01 |
| 17 | 3281607 | DECAL | PRO G50L | 2 | 0.01 |
| 18 | 3281644 | DECAL | DANGER OF CRUSHING | 1 | 0.01 |
| 19 | 3281643 | DECAL | STUDY MANUAL | 1 | 0.01 |
| 22 | 3090024 | QUICK COUPLING | R 1/2" C 23072-08 | 2 | 0.11 |
| 23 | 3090289 | CONNECTOR | 29-6010-08-10 | 4 | 0.11 |
| 24 | 3133215 | HYDRAULIC HOSE | A50005-10-08/261E-08/50054-10-08S/L=650 | 2 | 2.38 |

28939001





SPARE PART LIST

| | | | |
|---------------|-----------|----------|------------|
| Item code | 28939001 | Revision | - |
| Title | CYLINDER | Date | 11.12.2012 |
| Specification | 90/40X330 | | |

| Pos | Item code | Title | Specification | Pc | Nto Weight |
|-----|-----------|-----------------|---------------------|----|------------|
| 1 | 3110688 | PISTON SEAL | SIMKO 300 90/74,5X6 | 1 | 0.09 |
| 2 | 3110017 | O-RING | 84.5X3 90 SHORE | 2 | 0.02 |
| 3 | 3110115 | O-RING | 29.2X3 NBR90 | 1 | 0.01 |
| 4 | 3110010 | ROD SEAL | NI 300 40/50X10 | 1 | 0.05 |
| 5 | 3110011 | WIPER SEAL | PW 40 | 1 | 0.03 |
| 6 | 3110863 | PISTON GUIDE | 90/85X9.7 | 2 | 0.05 |
| 7 | 3110735 | GUIDANCE | I/PWR 40/46X10 | 3 | 0.03 |
| 8 | 28939101 | CYLINDER BARREL | 90/40X330 | 1 | 15 |
| 9 | 28939201 | PISTON | 90 | 1 | 1.62 |
| 10 | 28939202 | GUIDANCE | 90/40 | 1 | 2.32 |
| 11 | 28939204 | PISTON ROD | 90/40X330 | 1 | 7.94 |
| 12 | 3100387 | BUSHING | WB 802 5550 | 2 | 0.18 |
| 13 | 3100459 | BUSHING | WB 802 5540 | 2 | 0.14 |
| 14 | 3050003 | GREASE NIPPLE | M8X1,25 DIN 71412 | 2 | 0 |
| 1-7 | 3111065 | SEAL KIT | 90/40 | 1 | |