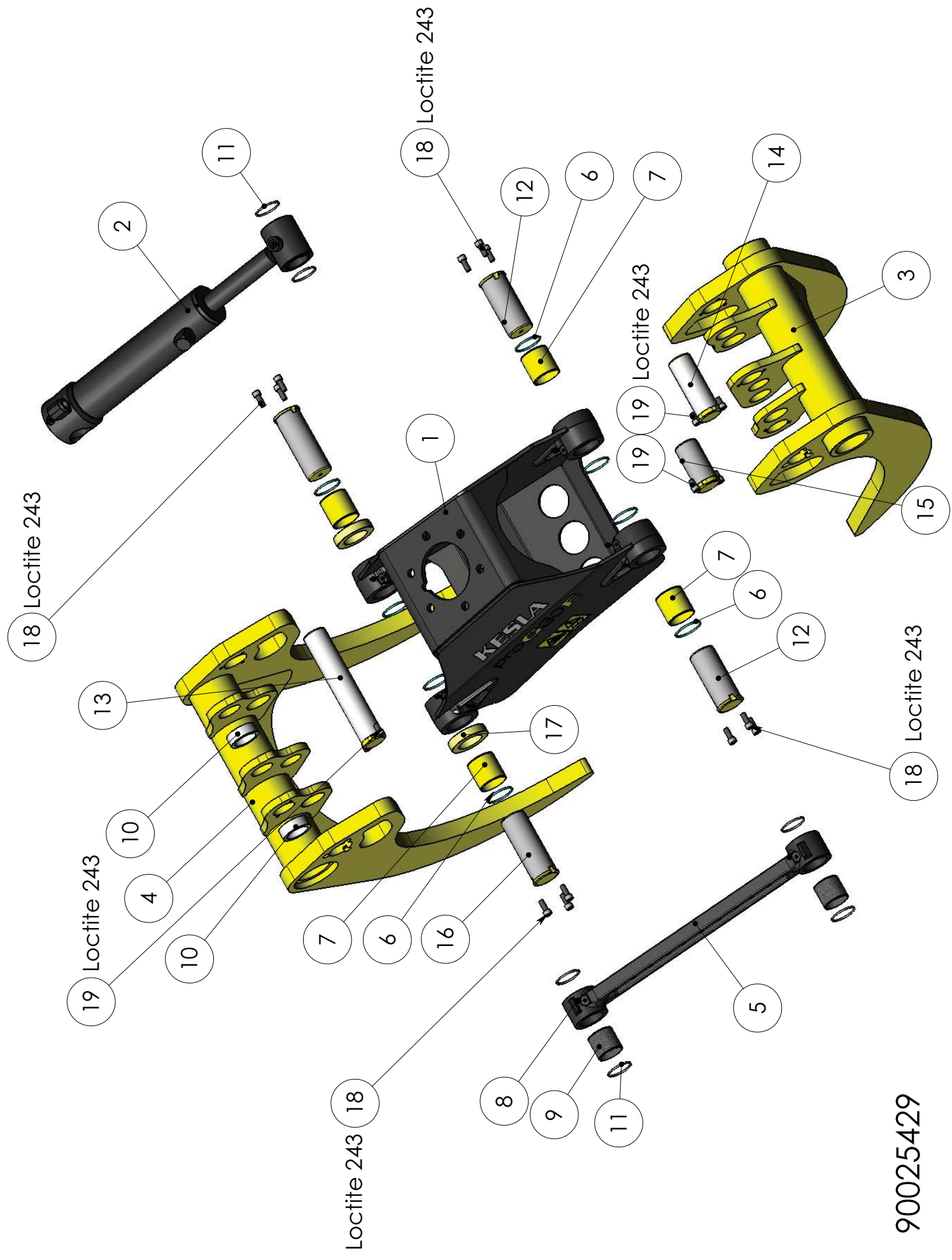




***KESLA***

***KAHMARI proG E spare parts***



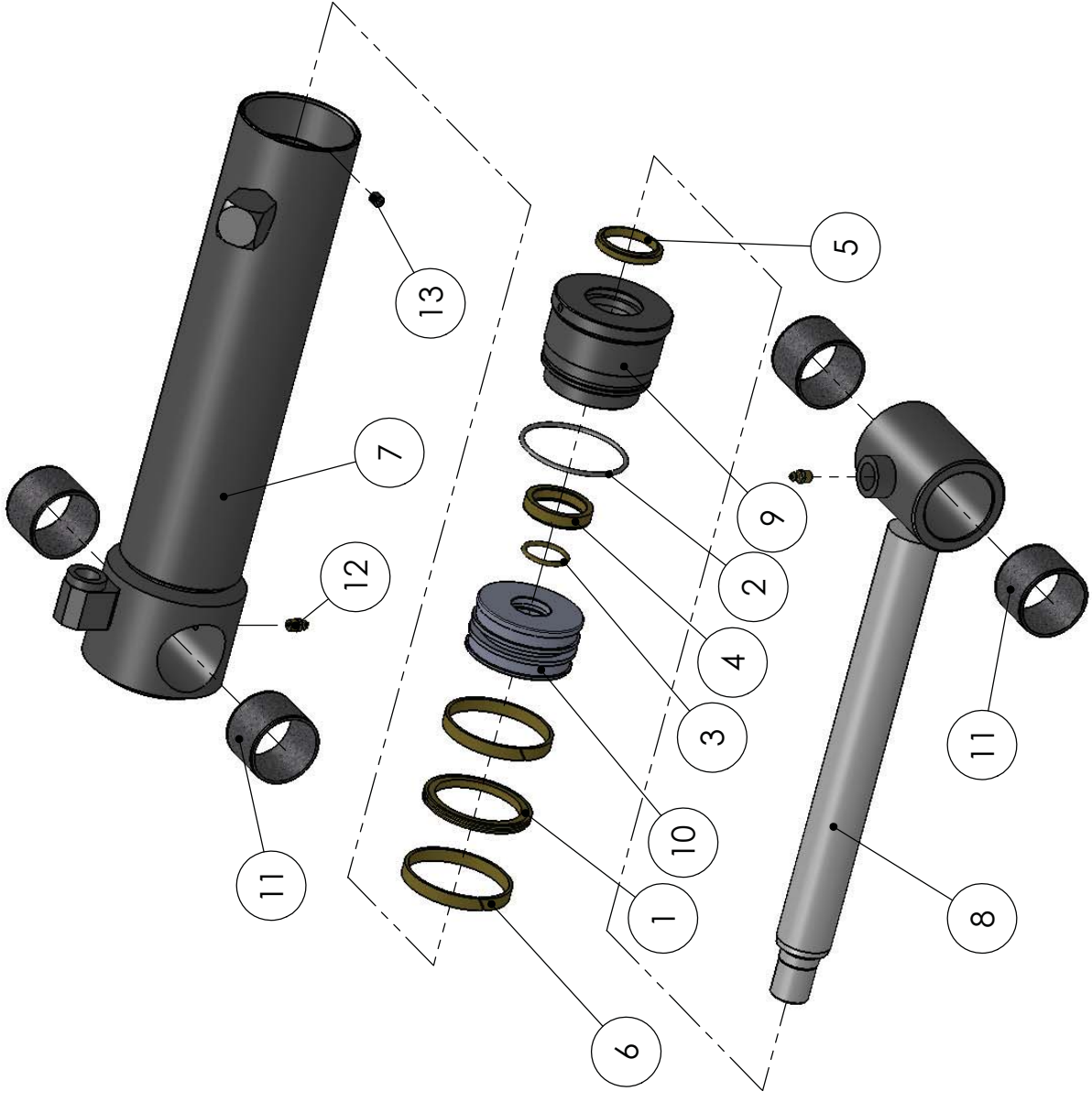
90025429



## SPARE PART LIST

Item code	90025429	Revision	-
Title	GRAPPLE	Date	10.04.2012
Specification	PRO G30E		

Pos	Item code	Title	Specification	Pc	Nto Weight
1	90025925	FRAME	28 30 35	1	41.57
2	28935001	CYLINDER	80/40X259	1	12.89
3	90025430	JAW	PRO G30E INNER	1	77.66
4	90025431	JAW	PRO G30E OUTER	1	74.96
5	90024629	STABILIZER	L=589	1	6.06
6	3110029	O-RING	54.5X3 90 SHORE	8	0.01
7	3100386	BUSHING	WB 802 5560	4	0.21
8	3050003	GREASE NIPPLE	M8X1.25 DIN 71412	6	0
9	3100257	BUSHING	WB 802 5050	2	0.16
10	90024573	SLEEVE	65/50-22	2	0.03
11	3110524	O-RING	49.5X3 90 SHORE	6	0.01
12	90025860	AXLE	60/55-132	2	2.75
13	90025876	AXLE	55/50-271	1	4.17
14	90025873	AXLE	55/50-142	1	2.19
15	90025875	AXLE	55/50-105	1	1.62
16	90025944	AXLE	60/55-153	2	3.18
17	90025943	SLEEVE	85/55-18	2	0.47
18	3011019	ALLEN SCREW	M10X25 12.9 DC DIN 912	12	0
19	3011020	ALLEN SCREW	M10X16 12.9 DC DIN 912	6	0
20	3281593	DECAL	KESLA	2	0.01
21	3281600	DECAL	PRO G30E	2	0.01
22	3281644	DECAL	DANGER OF CRUSHING	1	0.01
23	3281643	DECAL	STUDY MANUAL	1	0.01
24	3280431	PLATE	125X45X1	1	0
26	3133215	HYDRAULIC HOSE	A50005-10-08/261E-08/50054-10-08S/L=650	2	2.38
27	3090024	QUICK COUPLING	R 1/2" C 23072-08	2	0.11
28	3090289	CONNECTOR	29-6010-08-10	8	0.11



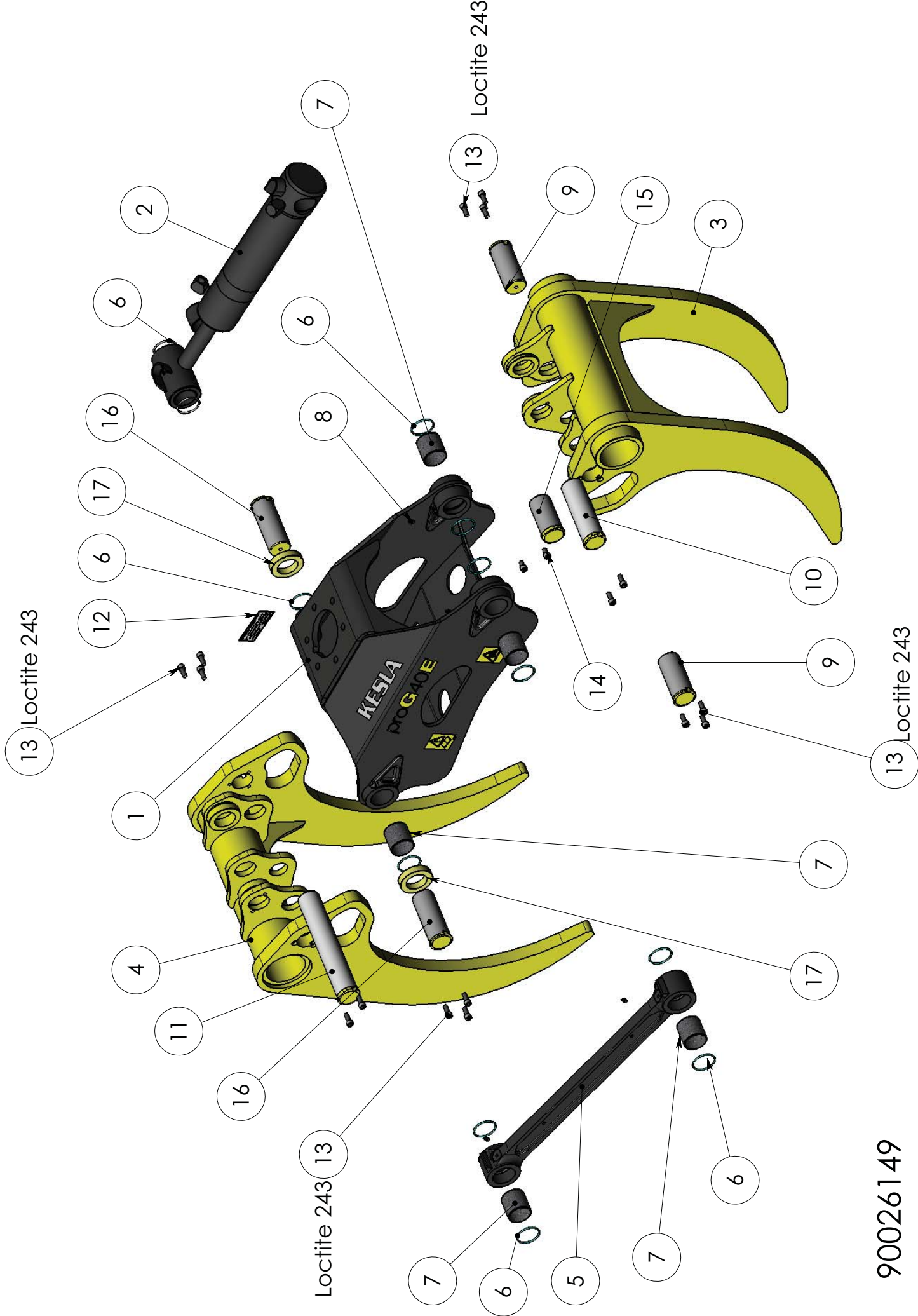
28935001



## SPARE PART LIST

Item code	28935001	Revision	-
Title	CYLINDER	Date	13.02.2013
Specification	80/40X259		

Pos	Item code	Title	Specification	Pc	Nto Weight
1	3110810	PISTON SEAL	300 80/64.5X6	1	0.08
2	3110033	O-RING	74.5X3 90 SHORE	1	0.01
3	3110115	O-RING	29.2X3 90 SHORE	1	0.01
4	3110010	ROD SEAL	NI 300 40/50X10	1	0.05
5	3110011	WIPER SEAL	PW 40	1	0.03
6	3111016	GUIDANCE	80/75X9.7	2	0.05
7	28935101	CYLINDER BARREL	80/40X259	1	6.41
8	28935204	PISTON ROD	40	1	2.39
9	28203202	GUIDANCE	80/40	1	1.88
10	28924201	PISTON	80	1	1.18
11	3100224	BUSHING	WB 802 5040	4	0.13
12	3050003	GREASE NIPPLE	M8X1.25 DIN 71412	2	0
13	3010175	ALLEN SCREW	M8X10 ZN DIN 914	1	0
1-6	3111061	SEAL KIT	80/40	1	

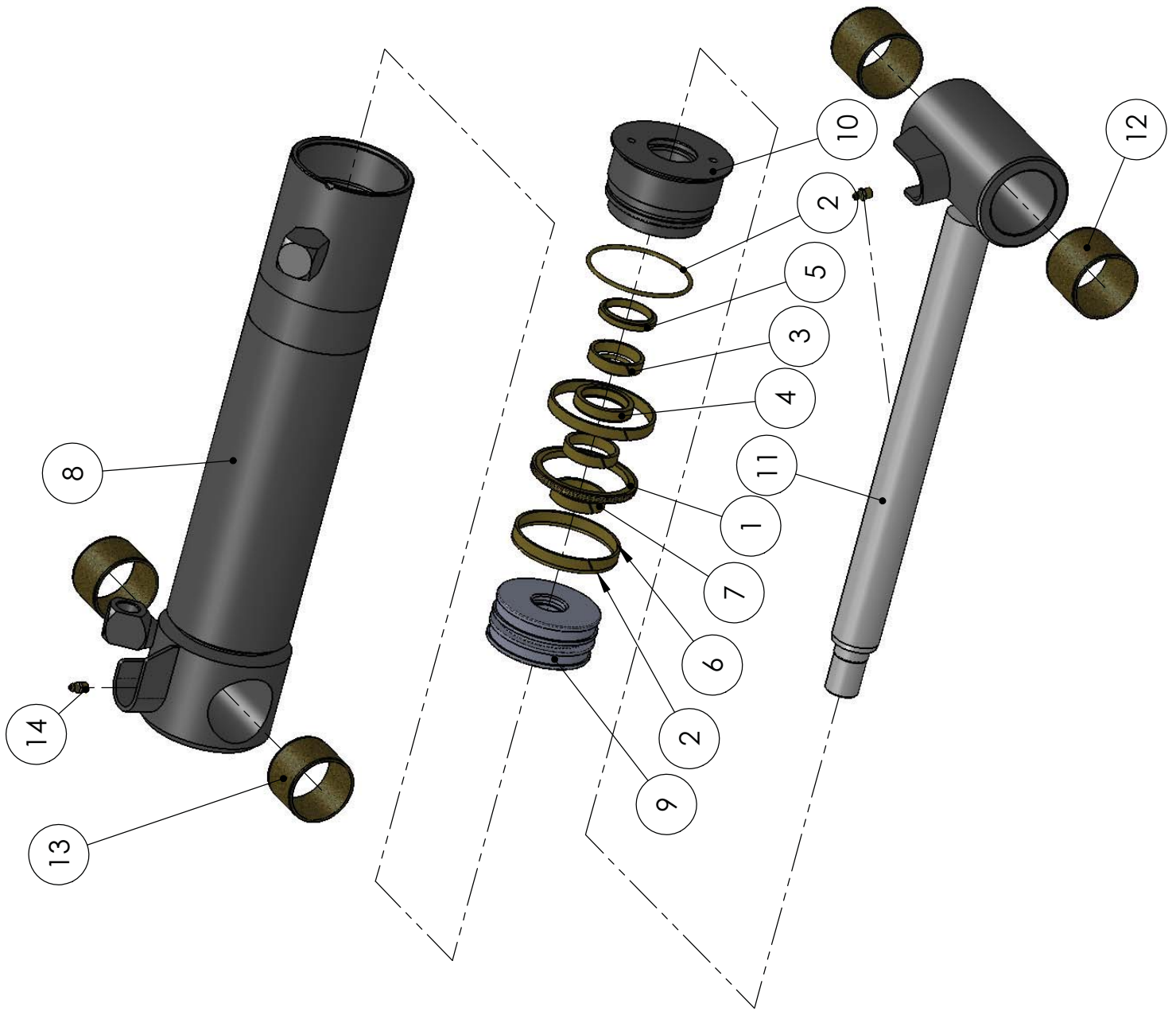


90026149

# SPARE PART LIST

Item code	90026149	Revision	-
Title	GRAPPLE	Date	20.02.2013
Specification	PRO G40E		

Pos	Item code	Title	Specification	Pc	Nto Weight
1	90024492	FRAME		1	58.72
2	28939001	CYLINDER	90/40X330	1	17.64
3	90026151	JAW	40E INNER	1	100.29
4	90026152	JAW	40E OUTER	1	97.04
5	90024600	STABILIZER	L=698.5	1	8.5
6	3110029	O-RING	54.5X3 90 SHORE	14	0.01
7	3100386	BUSHING	WB 802 5560	6	0.21
8	3050003	GREASE NIPPLE	M8X1.25 DIN 71412	6	0
9	90025860	AXLE	60/55-132	2	2.75
10	90025911	AXLE	60/55-192	1	4
11	90025910	AXLE	60/55-332	1	6.91
12	3280431	PLATE	125X45X1 STICKER	1	0
13	3011019	ALLEN SCREW	M10X25 12.9 DC DIN 912	16	0
14	3011020	ALLEN SCREW	M10X16 12.9 DC DIN 912	2	0
15	90025912	AXLE	60/55-116	1	2.42
16	90025944	AXLE	60/55-153	2	3.18
17	90025943	SLEEVE	85/55-18	2	0.47
18	3281593	DECAL	KESLA	2	0.01
19	3281603	DECAL	PRO G40E	2	0.01
20	3281644	DECAL	DANGER OF CRUSHING	1	0.01
21	3281643	DECAL	STUDY MANUAL	1	0.01
22	3090024	QUICK COUPLING	R 1/2" C 23072-08	2	0.11
23	3090289	CONNECTOR	29-6010-08-10	4	0.11
24	3133215	HYDRAULIC HOSE	A50005-10-08/261E-08/50054-10-08S/L=650	2	2.38



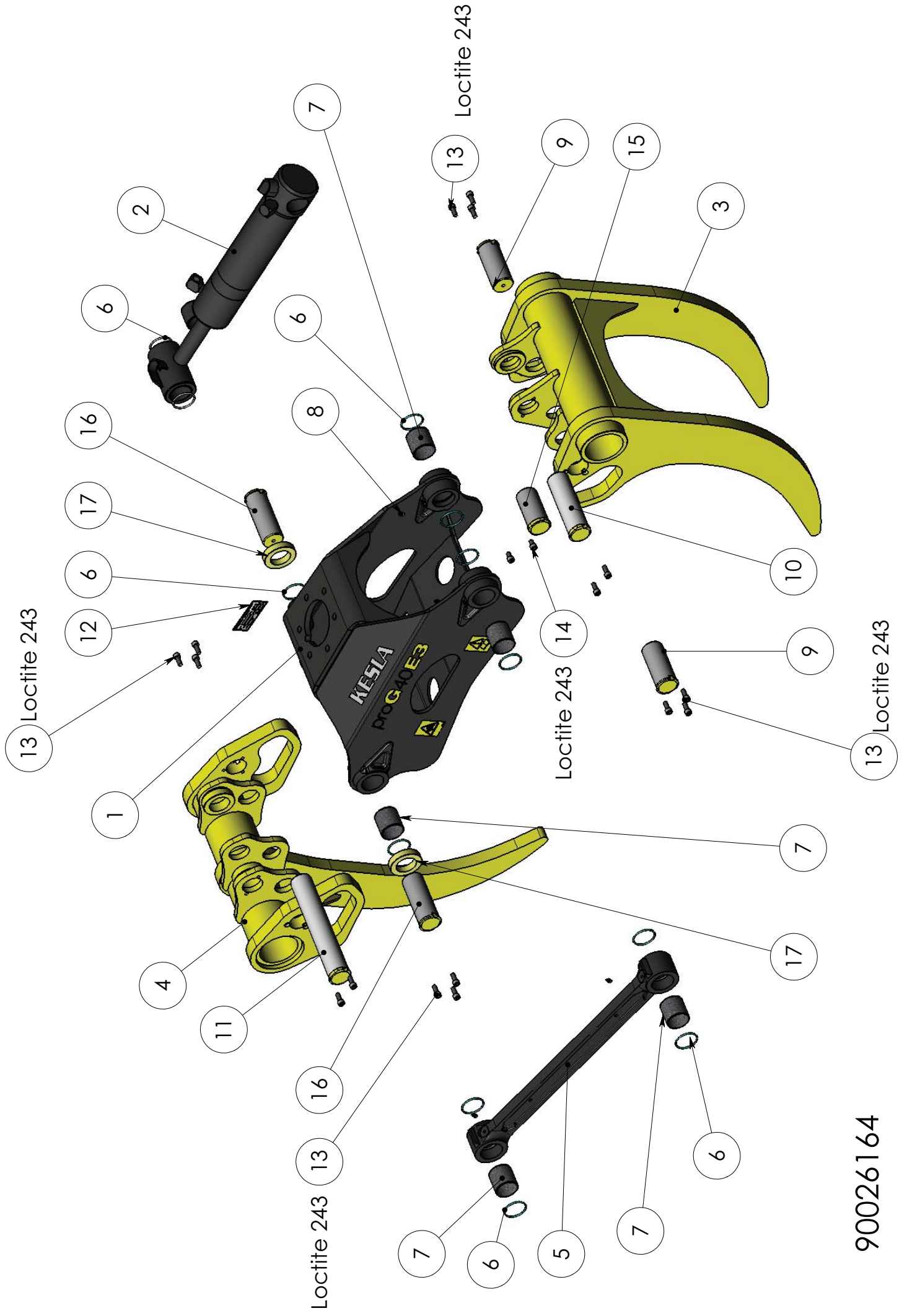
28939001



## SPARE PART LIST

Item code	28939001	Revision	-
Title	CYLINDER	Date	11.12.2012
Specification	90/40X330		

Pos	Item code	Title	Specification	Pc	Nto Weight
1	3110688	SEAL	SIMKO 300 90/74.5X6	1	0.09
2	3110017	O-RING	84.5X3 90 SHORE	2	0.02
3	3110115	O-RING	29.2X3 90 SHORE	1	0.01
4	3110010	ROD SEAL	NI 300 40/50X10	1	0.05
5	3110011	WIPER SEAL	PW 40	1	0.03
6	3110863	PISTON GUIDE	90/85X9.7	2	0.05
7	3110735	GUIDANCE	I/PWR 40/46X10	3	0.03
8	28939101	CYLINDER BARREL	90/40X330	1	8.38
9	28939201	PISTON	90	1	1.62
10	28939202	GUIDANCE	90/40	1	2.32
11	28939204	PISTON ROD	40-453	1	4.27
12	3100387	BUSHING	WB 802 5550	2	0.18
13	3100459	BUSHING	WB 802 5540	2	0.14
14	3050003	GREASE NIPPLE	M8X1.25 DIN 71412	2	0
1-7	3111065	SEAL KIT	90/40	1	

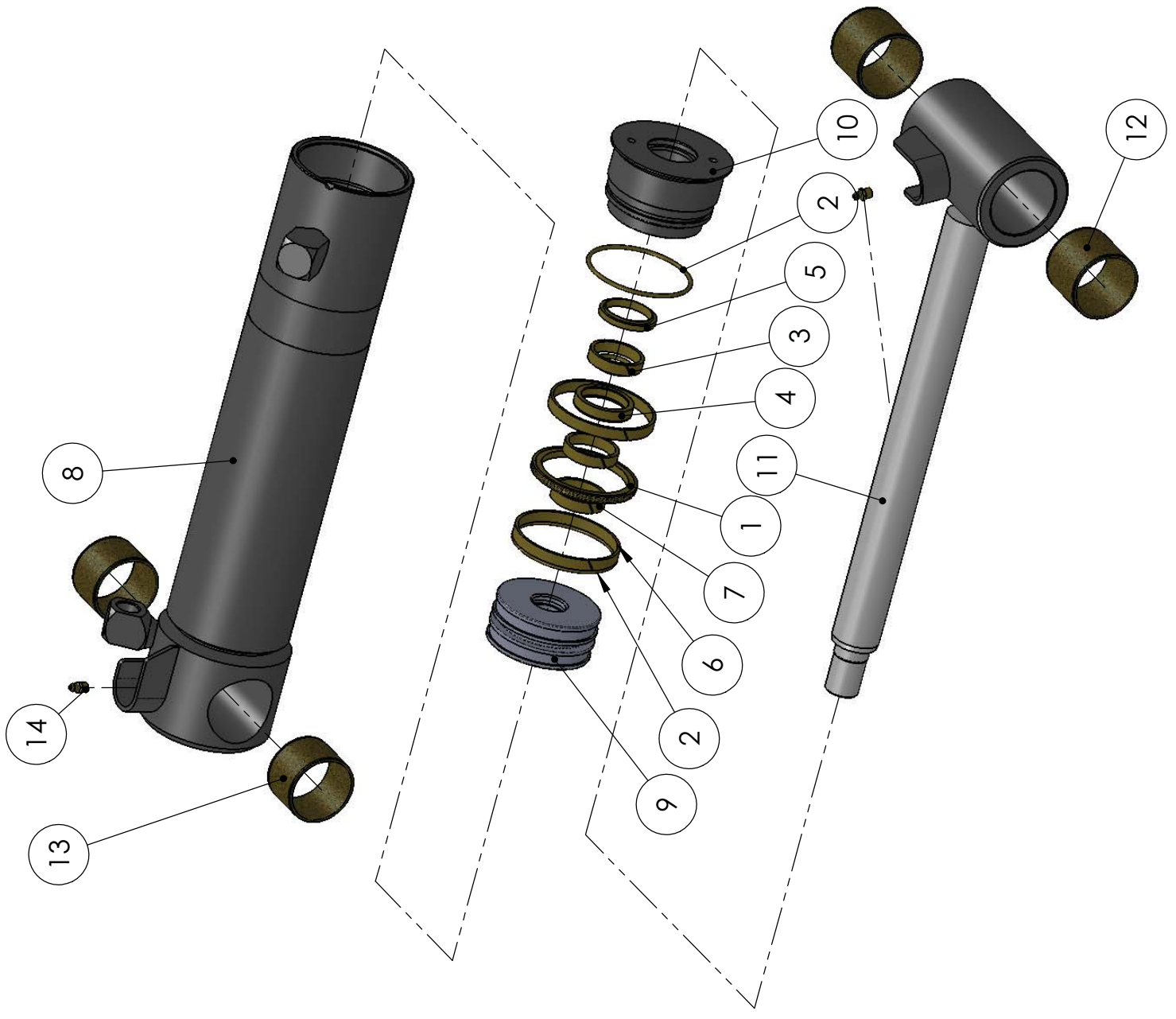


90026164

# SPARE PART LIST

Item code	90026164	Revision	-
Title	GRAPPLE	Date	22.02.2013
Specification	PRO G40E3		

Pos	Item code	Title	Specification	Pc	Nto Weight
1	90024492	FRAME		1	58.72
2	28939001	CYLINDER	90/40X330	1	17.64
3	90026151	JAW	40E INNER	1	100.29
4	90026165	JAW	40E3 SINGLE	1	73
5	90024600	STABILIZER	L=698.5	1	8.5
6	3110029	O-RING	54.5X3 90 SHORE	14	0.01
7	3100386	BUSHING	WB 802 5560	6	0.21
8	3050003	GREASE NIPPLE	M8X1.25 DIN 71412	6	0
9	90025860	AXLE	60/55-132	2	2.75
10	90025911	AXLE	60/55-192	1	4
11	90025910	AXLE	60/55-332	1	6.91
12	3280431	PLATE	125X45X1 STICKER	1	0
13	3011019	ALLEN SCREW	M10X25 12.9 DC DIN 912	16	0
14	3011020	ALLEN SCREW	M10X16 12.9 DC DIN 912	2	0
15	90025912	AXLE	60/55-116	1	2.42
16	90025944	AXLE	60/55-153	2	3.18
17	90025943	SLEEVE	85/55-18	2	0.47
18	3281593	DECAL	KESLA	2	0.01
19	3281604	DECAL	PRO G40E3	2	0.01
20	3281643	DECAL	STUDY MANUAL	1	0.01
21	3281644	DECAL	DANGER OF CRUSHING	1	0.01
22	3090024	QUICK COUPLING	R 1/2" C 23072-08	2	0.11
23	3090289	CONNECTOR	29-6010-08-10	4	0.11
24	3133215	HYDRAULIC HOSE	A50005-10-08/261E-08/50054-10-08S/L=650	2	2.38



28939001



## SPARE PART LIST

Item code	28939001	Revision	-
Title	CYLINDER	Date	11.12.2012
Specification	90/40X330		

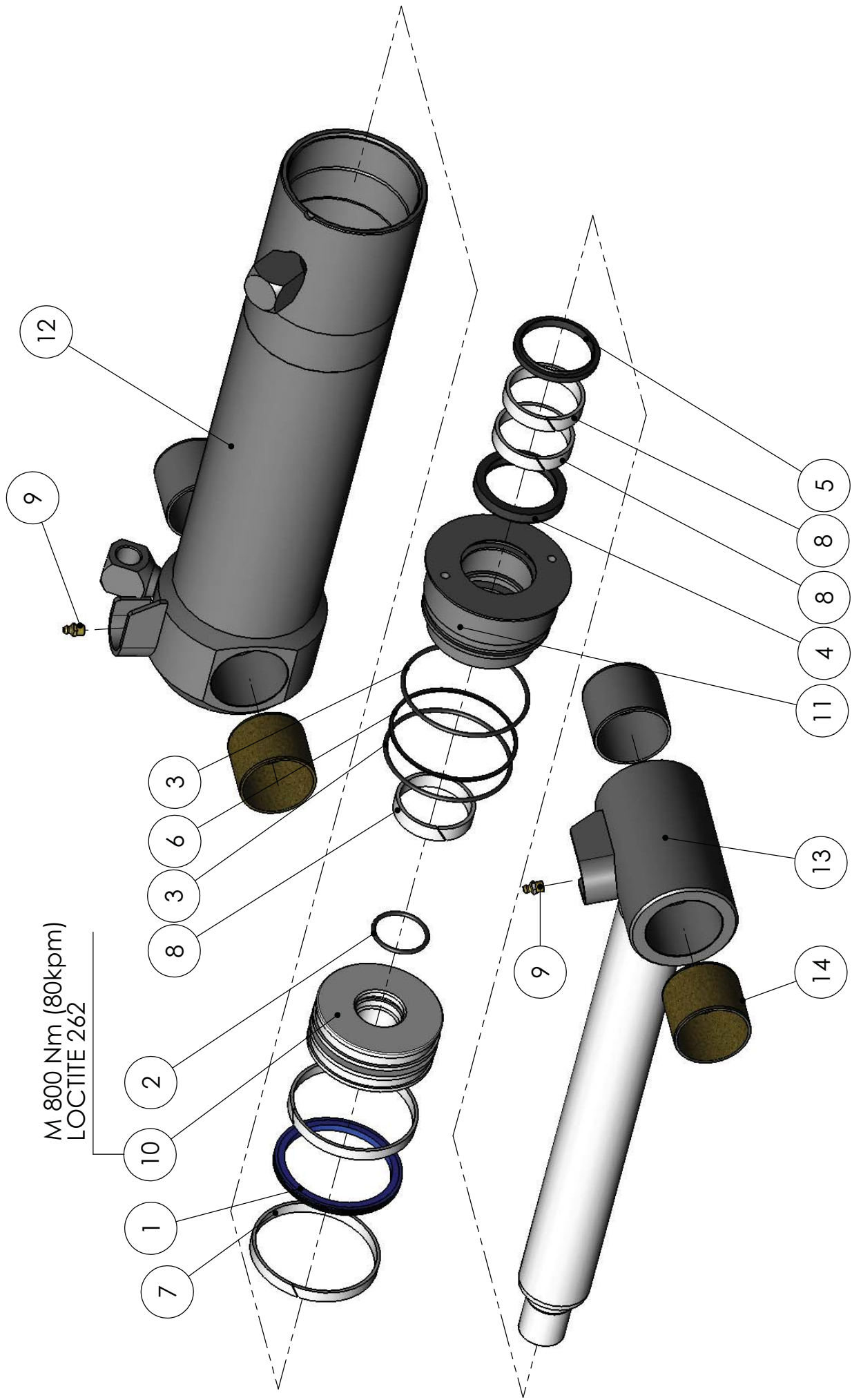
Pos	Item code	Title	Specification	Pc	Nto Weight
1	3110688	SEAL	SIMKO 300 90/74.5X6	1	0.09
2	3110017	O-RING	84.5X3 90 SHORE	2	0.02
3	3110115	O-RING	29.2X3 90 SHORE	1	0.01
4	3110010	ROD SEAL	NI 300 40/50X10	1	0.05
5	3110011	WIPER SEAL	PW 40	1	0.03
6	3110863	PISTON GUIDE	90/85X9.7	2	0.05
7	3110735	GUIDANCE	I/PWR 40/46X10	3	0.03
8	28939101	CYLINDER BARREL	90/40X330	1	8.38
9	28939201	PISTON	90	1	1.62
10	28939202	GUIDANCE	90/40	1	2.32
11	28939204	PISTON ROD	40-453	1	4.27
12	3100387	BUSHING	WB 802 5550	2	0.18
13	3100459	BUSHING	WB 802 5540	2	0.14
14	3050003	GREASE NIPPLE	M8X1.25 DIN 71412	2	0
1-7	3111065	SEAL KIT	90/40	1	



# SPARE PART LIST

Item code	90026192	Revision	-
Title	GRAPPLE	Date	26.02.2013
Specification	PRO G50E		

Pos	Item code	Title	Specification	Pc	Nto Weight
1	90027543	FRAME	50E	1	74.98
2	28797001	CYLINDER	100/56X330	1	31.87
3	90026193	JAW	PRO G50E INNER	1	117.77
4	90026194	JAW	PRO G50E OUTER	1	117.4
5	90024600	STABILIZER	L=698.5	1	8.45
6	3110029	O-RING	54.5X3 90 SHORE	14	0.01
7	3100386	BUSHING	WB 802 5560	6	0.21
8	3050003	GREASE NIPPLE	M8X1,25 DIN 71412	6	0
9	90025860	AXLE	60/55-132	2	2.75
10	90025911	AXLE	60/55-192	1	4
11	90025910	AXLE	60/55-332	1	6.91
12	3280431	PLATE	125X45X1	1	0
13	3011019	ALLEN SCREW	M10X25 12.9 DC DIN 912	16	0
14	90025912	AXLE	60/55-116	1	2.42
15	90025944	AXLE	60/55-153	2	3.18
16	90025943	SLEEVE	85/55-18	2	0.45
17	3011020	ALLEN SCREW	M10X16 12.9 DC DIN 912	2	0
18	3281593	DECAL	KESLA	2	0.01
19	3281608	DECAL	PRO G50E	2	0.01
20	3281643	DECAL	STUDY MANUAL	1	0.01
21	3281644	DECAL	DANGER OF CRUSHING	1	0.01
22	3090024	QUICK COUPLING	R 1/2" C 23072-08	2	0.11
23	3133215	HYDRAULIC HOSE	A50005-10-08/261E-08/50054-10-08S/L=650	2	2.38
24	3090289	CONNECTOR	6010-08-10	4	0.11



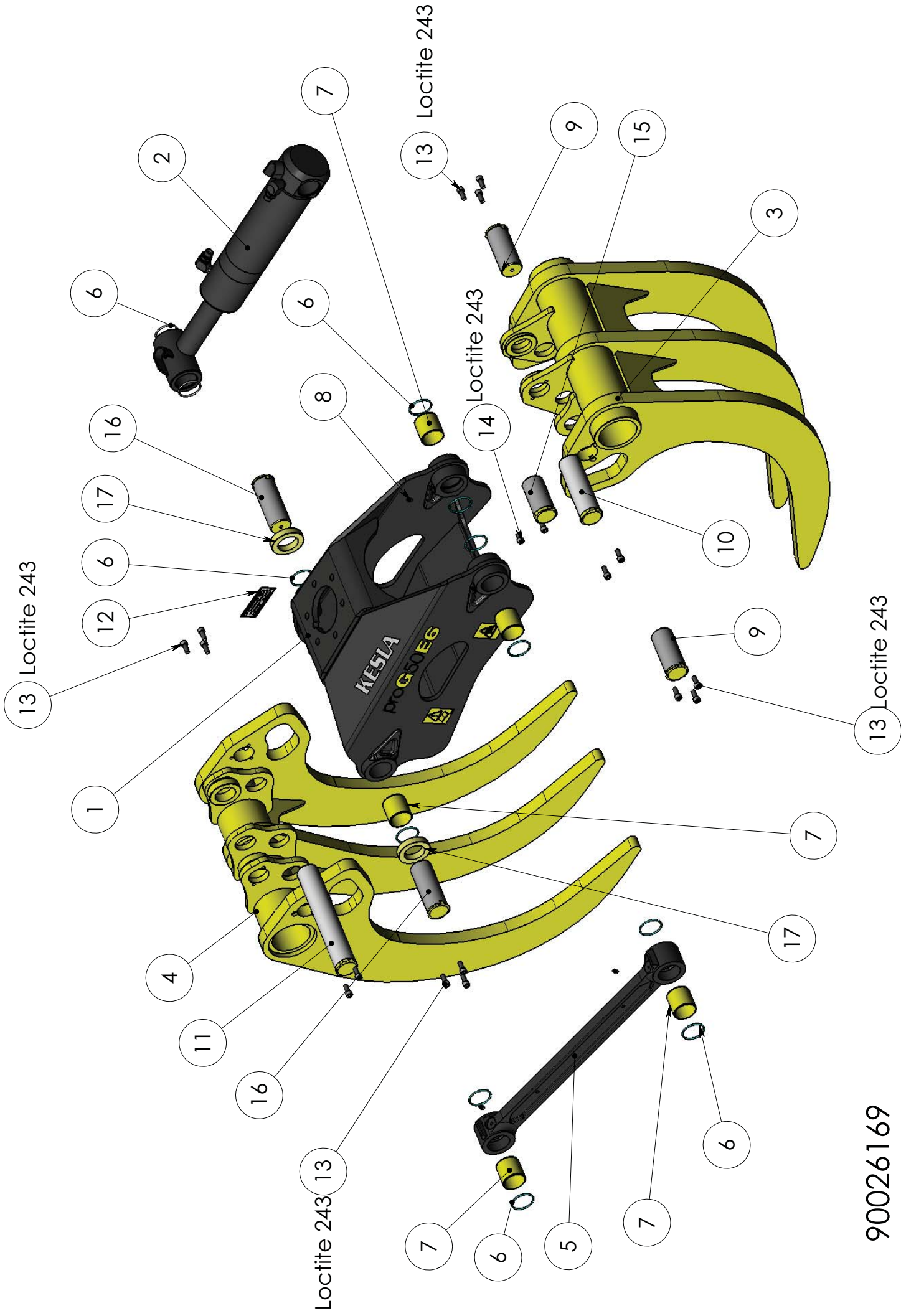
28797001



## SPARE PART LIST

Item code	28797001	Revision	-
Title	CYLINDER	Date	19.10.2006
Specification	100/56X330		

Pos	Item code	Title	Specification	Pc	Nto Weight
1	3110821	PISTON SEAL	300 100/84.5X6.3	1	0.1
2	3110075	O-RING	39.2X3 90 SHORE	1	0.01
3	3110071	O-RING	94.5X3 90 SHORE	2	0.02
4	3110076	ROD SEAL	NI.300 56/71X10	1	0.1
5	3110077	WIPER SEAL	PW 56	1	0.04
6	3110614	SUPPORTING RING	TR 95/100X1.3	1	0
7	3110843	PISTON GUIDE	100/95X9.7	2	0.06
8	3110758	GUIDANCE	I/PWR 56/62X13	3	0.06
9	3050003	GREASE NIPPLE	M8X1,25 DIN 71412	2	0
10	28760201	PISTON	100	1	2.02
11	28760202	GUIDANCE	100/56	1	2.39
12	28797101	CYLINDER BARREL	100/56 X 330	1	17.09
13	28797204	PISTON ROD	100/56 X 330	1	3.74
14	3100387	BUSHING	WB 802 5550	4	0.18
1-8	3110822	SEAL KIT	100/56	1	



90026169

# SPARE PART LIST

Item code	90026169	Revision	-
Title	GRAPPLE	Date	22.02.2013
Specification	PRO G50E6		

Pos	Item code	Title	Specification	Pc	Nto Weight
1	90027543	FRAME	50E	1	74.98
2	28797001	CYLINDER	100/56X330	1	31.87
3	90026170	JAW	50E6 INNER	1	154.86
4	90026171	JAW	50E6 OUTER	1	154.81
5	90024600	STABILIZER	L=698.5	1	8.45
6	3110029	O-RING	54.5X3 90 SHORE	14	0.01
7	3100386	BUSHING	WB 802 5560	6	0.21
8	3050003	GREASE NIPPLE	M8X1,25 DIN 71412	6	0
9	90025860	AXLE	60/55-132	2	2.75
10	90025911	AXLE	60/55-192	1	4
11	90025910	AXLE	60/55-332	1	6.91
12	3280431	PLATE	125X45X1	1	0
13	3011019	ALLEN SCREW	M10X25 12.9 DC DIN 912	16	0
14	3011020	ALLEN SCREW	M10X16 12.9 DC DIN 912	2	0
15	90025912	AXLE	60/55-116	1	2.42
16	90025944	AXLE	60/55-153	2	3.18
17	90025943	SLEEVE	85/55-18	2	0.45
18	3281593	DECAL	KESLA	2	0.01
19	3281609	DECAL	PRO G50E6	2	0.01
20	3281644	DECAL	DANGER OF CRUSHING	1	0.01
21	3281643	DECAL	STUDY MANUAL	1	0.01
22	3090024	QUICK COUPLING	R 1/2" C 23072-08	2	0.11
23	3133215	HYDRAULIC HOSE	A50005-10-08/261E-08/50054-10-08S/L=650	2	2.38
24	3090289	CONNECTOR	6010-08-10	4	0.11





## SPARE PART LIST

Item code	28797001	Revision	-
Title	CYLINDER	Date	19.10.2006
Specification	100/56X330		

Pos	Item code	Title	Specification	Pc	Nto Weight
1	3110821	PISTON SEAL	300 100/84.5X6.3	1	0.1
2	3110075	O-RING	39.2X3 90 SHORE	1	0.01
3	3110071	O-RING	94.5X3 90 SHORE	2	0.02
4	3110076	ROD SEAL	NI.300 56/71X10	1	0.1
5	3110077	WIPER SEAL	PW 56	1	0.04
6	3110614	SUPPORTING RING	TR 95/100X1.3	1	0
7	3110843	PISTON GUIDE	100/95X9.7	2	0.06
8	3110758	GUIDANCE	I/PWR 56/62X13	3	0.06
9	3050003	GREASE NIPPLE	M8X1,25 DIN 71412	2	0
10	28760201	PISTON	100	1	2.02
11	28760202	GUIDANCE	100/56	1	2.39
12	28797101	CYLINDER BARREL	100/56 X 330	1	17.09
13	28797204	PISTON ROD	100/56 X 330	1	3.74
14	3100387	BUSHING	WB 802 5550	4	0.18
1-8	3110822	SEAL KIT	100/56	1	